



Medium Duty Body Builder's Manual

Model: K270/K370

For Trucks Produced After March 2012



Body Builder's Manual

Contents

FIGURES	iii
TABLES	iv
SECTION 1 INTRODUCTION	1-1
SECTION 2 SAFETY & COMPLIANCE	
SAFETY SIGNALS	2-1
FEDERAL MOTOR VEHICLE SAFETY STANDARDS COMPLIANCE	2-2
Incomplete Vehicle Certification	2-2
Noise and Emissions Requirements	2-3
SECTION 3 DIMENSIONS	
ABBREVIATIONS	3-1
TURNING RADIUS	3-1
OVERALL DIMENSIONS	3-2
Side View - K270.....	3-2
Side View - K370.....	3-3
Front and Rear Views — K270/K370.....	3-4
DETAIL VIEWS	3-7
Left side: Chassis Heights –K270.....	3-7
Right side: Chassis Heights –K370.....	3-8
Components Locations –K270.....	3-9
Components Locations –K370.....	3-10
Crossmember Locations –K270.....	3-11
Frame Rail Configurations.....	3-13
Battery Box, Fuel Tanks and Air Tanks — K270/K370.....	3-14
DPF & SCR Locations – K270/K370.....	3-15
Reyco 79KB Single Rear Axle	3-16
TIRE DATA.....	3-16
FRAME AND CAB RELATED HEIGHTS	3-16
GROUND CLEARANCES	3-16
PTO Clearances.....	3-17
SECTION 4 EXHAUST & AFTERTREATMENT	
EXHAUST AND AFTERTREATMENT INFORMATION	4-1
General Guidelines for DEF System.....	4-3
Installation Requirements and Dimensions for DEF System.....	4-3
Measurement Reference Points.....	4-4
GENERAL EXHAUST INFORMATION	4-6
SECTION 5 FRAME LAYOUTS AND BODY MOUNTING	
FRAME LAYOUTS	
Visual Index	5-1
Acronyms Index	5-2
CRITICAL CLEARANCES	5-3
Rear Wheels and Cab.....	5-3
Body Mounting Using Brackets.....	5-4
Frame Sill.....	5-4
Brackets.....	5-5
Mounting Holes.....	5-5
Frame Drilling.....	5-6
Hole Location Guidelines	5-6
BODY MOUNTING USING U–BOLTS	5-6
Spacers	5-6
REAR BODY MOUNT	5-8

SECTION 6 FRAME MODIFICATIONS	
FRAME MODIFICATIONS	6-1
Introduction	6-1
DRILLING RAILS	6-1
Location and Hole Pattern.....	6-1
MODIFYING FRAME LENGTH	6-2
Frame Insert	6-2
Changing Wheelbase.....	6-3
Crossmembers	6-4
WELDING	5
SECTION 7 ELECTRICAL	
ELECTRICAL	
Introduction.....	7-1
ELECTRICAL CIRCUITS	
Capacity	7-1
Dashboard Identification.....	7-2
Data Bus Communication	7-3
REMOVAL AND INSTALLATION	
Removal and Installation, Switches	7-4
Removal and Installation, Dashboard Panels.....	7-4
APPENDIX A VEHICLE IDENTIFICATION	
VEHICLE IDENTIFICATION NUMBER	A-1
VIN Location	A-1
Chassis Number Locations.....	A-1
CERTIFICATION LABELS	A-2
Components and Weights Label	A-2
Tire/Rim and Weight Rating Data Label	A-2
Incomplete Vehicle Certification Label	A-2
COMPONENT IDENTIFICATION	A-3
Engine Identification	A-3
Transmission Identification.....	A-4
Front Axle Identification.....	A-4
Rear Axle Identification.....	A-4
APPENDIX B WEIGHT DISTRIBUTION	
INTRODUCTION	
Abbreviations	B-1
CALCULATIONS	B-2
Weight Distribution without Body.....	B-2
Weight Distribution with Body.....	B-4
Chassis Weights	B-4
COMPLETE (LOADED) VEHICLE	B-7
Weight Distribution Analysis.....	B-9
Body Length.....	B-9

Figures

Figure 3-1. Side View — K 2 7 0 Height and Length Measurement.....	3-2
Figure 3-2. Side View —K 3 7 0 Height and Length Measurement.....	3-3
Figure 3-3. K270/K370 Front View: Width and Ground Clearance Measurements: inches (mm).....	3-5
Figure 3-4. K270 Rear View: Width and Ground Clearance Measurements: inches (mm).....	3-6
Figure 3-5. K370 Rear View: Width and Ground Clearance Measurements: inches (mm).....	3-6
Figure 3-6. Cab Floor: Side View, Left Side.....	3-7
Figure 3-7. Cab Floor: Side View, Left Side.....	3-8
Figure 3 - 8.1.1 K270 Battery Box, Fuel Tank, Air Tank, Urea Tank, Air to Oil Transmission Cooler and Crossmember Location Measured From Front Axle: inches (mm). For trucks built before and including 4/20/2012.....	3-9
Figure 3 - 8.1.2 K270 Battery Box, Fuel Tank, Air Tank, Urea Tank, and Crossmember Location Measured From Front Axle: inches (mm). For trucks built after 4/20/2012.....	3-9
Figure 3 - 8.2.2 K370 Battery Box, Fuel Tank, Air Tank, Urea Tank, and Crossmember Location Measured From Front Axle: inches (mm). For trucks built after 4/20/2012.....	3-10
Figure 3-8.3. K270 Crossmember Location.....	3-11
Figure 3-8.4. K370 Crossmember Location.....	3-12
FIGURE 3-9. K270/K370 Rail Measurements.....	3-13
FIGURE 3-10. K270/K370 Battery Box, Fuel Tank and Air Tanks Measurement mm (in).....	3-14
FIGURE 3-11. K270/K370 Exhaust Measurements.....	3-15
Figure 4-1: Measurement Location of DEF Supply Module (Pump).....	4-4
Figure 4-2: Measurement Location of DEF Dosing Module (Injector).....	4-4
Figure 4-3: Orientation of Dosing Module.....	4-5
Figure 4-4: Routing DEF Lines and DEF Trap.....	4-5
Figure 4-5: Horizontal Crossover DPF and SCR with Horizontal Tailpipe.....	4-6
Figure 4-5.1: Top view of Horizontal Crossover DPF and SCR with Horizontal Tailpipe.....	4-6
Figure 4-5.2: Right view of Horizontal Crossover DPF and SCR with Horizontal Tailpipe.....	4-7
Figure 4-5.3: Back view of Horizontal Crossover DPF and SCR with Horizontal Tailpipe.....	4-7
Figure 5-1: Horizontal Crossover DPF/SCR, LH horizontal tailpipe, RH BOC rectangular fuel tank, RH BOC rectangular DEF tank and LH BOC battery box.....	5-2
FIGURE 5-2. Minimum Clearance Between Top Of Rear Tires And Body Structure Overhang.....	5-3
FIGURE 5-3. Minimum Back of Cab Clearance.....	5-3
FIGURE 5-4. Spacer Between Frame Sill and Body Rail - Rubber or Plastic.....	5-5
FIGURE 5-5. High Compression Spring Between the Mounting Bold and Upper Bracket.....	5-5
FIGURE 5-6. Rubber Spacer Between Brackets.....	5-5
FIGURE 5-7. Hole Locations Guidelines for Frame Rail and Bracket.....	5-5
FIGURE 5-8. Crossmember-Gusset Hole Pattern Requirements. [inch(mm)].....	5-6
FIGURE 5-9. Acceptable U-Bolt Mounting with Wood and Fabricated Spacers.....	5-7
FIGURE 5-10. Clearance Space for Air Lines and Cables.....	5-7
FIGURE 5-11 Example of Fishplate Bracket at Rear End of Body, used with U-Bolts.....	5-8
FIGURE 6-1. Detail of Frame Extension and Joint Welding.....	6-2
FIGURE 6-2. Frame Insert.....	6-2
FIGURE 6-3 Comparison of Original, Shortened, and Extended Wheelbases.....	6-4
FIGURE 6-4. Crossmember Added When Distance Exceeds 60 Inches (1524 mm).....	6-4
FIGURE 6-5. Heat Treated Frame Rail Warning Label.....	6-5
FIGURE 7-1. Instrument Layout.....	7-2
FIGURE 7-2 Data Bus Communication Architecture.....	7-3
Figure A - 2. Drivers Door and Door Frame Label.....	A-2
Figure A - 3. Engine Identification Location.....	A-3
Figure A - 4. Front Axle Identification.....	A-4
Figure A - 5. Rear Axle Identification.....	A-4
Figure B - 1. Balanced Load: CGf 100 in. from front axle.....	B-2
Figure B - 2. Unbalanced Load: CGf 133 In. From Front Axle.....	B-3
Figure B-3. Balanced Body Unloaded: CGf 184.7 in. (4691.45 mm) from front axle.....	B-5
Figure B-4. Liftgate Example: CGf 322.2 in (8183.9 mm) from front axle.....	B-5

Table 3-1. Abbreviations Used	3-1
TABLE 3-2 Turning Radius	3-1
TABLE 3-3. Overall K270 Dimensions inches (mm)	3-2
TABLE 3-4. Overall K370 Dimensions	3-3
Table 3-5. K270 Battery Box Step and Cab Floor Measurements	3-7
Table 3-6. K370 Battery Box Step and Cab Floor Measurements	3-8
Table 3-7 Floor to Frame Measurements	3-8
TABLE 3-8.1. K270 Crossmember Location Measured From Front Axle Centerline inches (mm)	3-11
TABLE 3-8.2 K370 Crossmember Location Measured From Front Axle Centerline inches (mm)	3-12
TABLE 3 - 9. Frame Rail Strength Characteristics	3-13
TABLE 3-10. K270/K370 Exhaust Location Measured From BOC inches (mm)	3-15
TABLE 3-11. K270 / K370 Exhaust Location Measured From BOC inches (mm)	3-15
TABLE 5-1.2	5-1
TABLE 7 - 1.1. Additional Spare Circuits for Wiring	7-23
Table A - 1. Model Year (Code) Designations.	A-1
TABLE B-1. K270/K370 Single Rear Axle “Bare” Chassis Tare Weights (no driver, no fuel)	B-4
Table B-2. K270 Weight Distribution and Chassis Rating Calculation (sample	B-7
Table B-2.1. K370 Weight Distribution and Chassis Rating Calculation (sample).....	B-8
Table B-3. Available K270/K370 Body Lengths	B-10

Section 1

Introduction



This manual provides body builders with appropriate information and guidelines useful in the body planning and installation process. This information will be helpful when installing bodies or other associated equipment.

This manual contains appropriate dimensional information, guidelines for mounting bodies, guidelines for modifying frames, electrical wiring information, and other information useful in the body installation process.

The intended primary users of this manual are body builders who install bodies and associated equipment on K270/K370 Medium Duty vehicles. Dealers who sell and service the vehicle will also find this information useful.

This Body Builders' Manual can be very useful when specifying a vehicle, particularly when the body builder is involved in the vehicle definition and ordering process. Early in the process, professional body builders can often contribute valuable information that reduces the ultimate cost of the body installation.

This manual is not a maintenance manual or an operation manual.

- For chassis maintenance and repair information consult the PACCAR ServiceNet available in the Service Department of the selling dealer or order a custom shop manual or parts catalog for your vehicle through your local dealer.
- For chassis operating information consult the Operator's Manual, included with each vehicle. They can also be ordered from your local dealer.

SAFETY SIGNALS

We've put a number of alerting messages in this book. Please read and follow them. They are there for your protection and information. These alerting messages can help you avoid injury to yourself or others and help prevent costly damage to the vehicle.

Key symbols and "signal words" are used to indicate what kind of message is going to follow. Pay special attention to comments prefaced by "WARNING", "CAUTION", and "NOTE." Please don't ignore any of these alerts.

Warnings, Cautions, and Notes



WARNING: When you see this word and symbol, the message that follows is especially vital. It signals a **potentially hazardous situation** which, if not avoided, could result in death or serious injury. This message will tell you what the hazard is, what can happen if you don't heed the warning, and how to avoid it.

Example:

WARNING! Be sure to use a circuit breaker designed to meet liftgate amperage requirements. An incorrectly specified circuit breaker could result in a electrical overload or fire situation. Follow the liftgate installation instructions and use a circuit breaker with the recommended capacity.



CAUTION: Signals a **potentially hazardous situation which**, if not avoided, could result in minor or moderate injury or damage to the vehicle.

Example:

CAUTION: Never use a torch to make a hole in the rail. Use the appropriate drill bit.

NOTE:

Provides general information: for example, the note could warn you on how to avoid damaging your vehicle or how to drive the vehicle more efficiently.

Example:

Note: Be sure to provide maintenance access to the battery box and fuel tank fill neck.

Please take the time to read these messages when you see them, and remember:

WARNING

Indicates a potentially hazardous situation which, if not avoided, could result in death or serious injury.

CAUTION

Signals a potentially hazardous situation which, if not avoided, could result in minor or moderate injury or damage to the vehicle.

NOTE

Useful information that is related to the topic being discussed.

FEDERAL MOTOR VEHICLE SAFETY STANDARDS COMPLIANCE

As an Original Equipment Manufacturer (OEM), Peterbilt Truck Co. ensures that our products comply with all applicable U.S. or Canadian Federal Motor Vehicle Safety Standards. However, the fact that this vehicle has no fifth wheel and that a Body Builder (Intermediate or Final Stage Manufacturer) will be doing additional modifications means that the vehicle was incomplete when it left the build plant. See next section and Appendix A for additional information.

Incomplete Vehicle Certification

An Incomplete Vehicle Document is shipped with the vehicle, certifying that the vehicle is not complete. See Figure 2-1. In addition, affixed to the driver's side door frame or edge is an Incomplete Vehicle Certification label. See Figure 2-2. For further information on Vehicle Certification and Identification, see APPENDIX A "VEHICLE IDENTIFICATION."

i NOTE: These documents list the U.S. or Canadian Federal Motor Vehicle Safety Standard regulations that the vehicle complied with when it left the build plant. You should be aware that if you add, modify or alter any of the components or systems covered by these regulations, it is your responsibility as the Intermediate or Final Stage Manufacturer to ensure that the complete vehicle is in compliance with the particular regulations upon completion of the modifications.



Figure 2-1. Incomplete Vehicle Certification Document

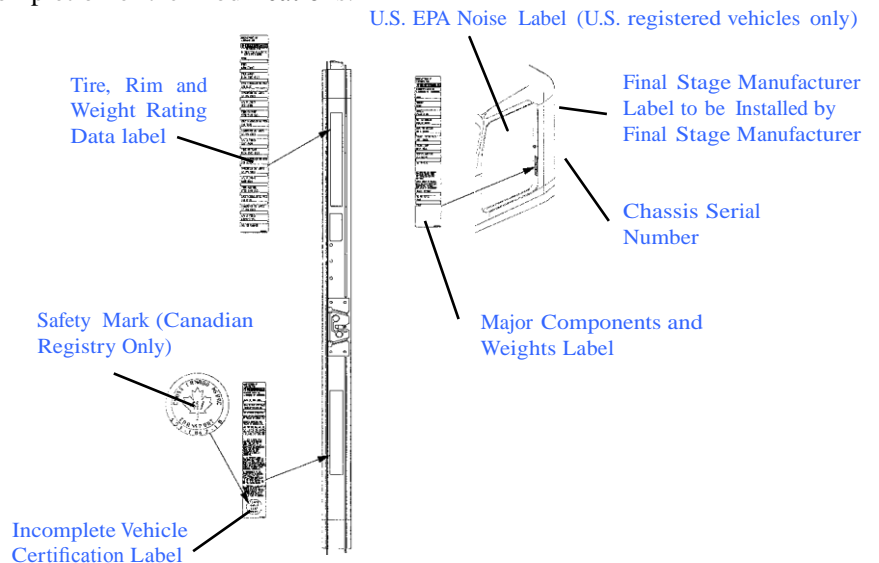


Figure 2-2. Locations of Certification Labels - Driver's Door and Frame

As the Intermediate or Final Stage Manufacturer, you should retain the Incomplete Vehicle Document for your records. In addition, you should record and retain the manufacturer and serial number of the tires on the vehicle. Upon completion of the vehicle (installation of the body and any other modifications), you should affix your certification label to the vehicle as required by Federal law. This tag identifies you as the "Intermediate or Final Stage Manufacturer" and certifies that the vehicle complies with Federal Motor Vehicle Safety Standards. (See Figure 2-2.) For Canadian final stage manufacturers see:

<http://www.gazette.gc.ca/index-eng.html> and <http://www.tc.gc.ca/eng/acts-regulations/menu.htm> for the regulations.

Or contact:
Transport Canada
Tower C, Place de Ville, 330 Sparks Street
Ottawa, Ontario K1A 0N5
(613) 990-2309
TTY: 1-888-675-6863

Noise and Emissions Requirements

i **NOTE:** This truck may be equipped with a converter muffler unit in order to meet both noise and exhaust emissions requirements. Removal or tampering with the converter muffler will not improve engine performance. Also tampering is against the rules that are established by the U.S. Code of Federal Regulations and Environment Canada Regulations. The converter muffler may only be replaced with an approved part.

i **NOTE:** Relocation of converter muffler will affect noise and emission performance. Contact the engine manufacturer for any requirements and restrictions prior to any modifications. In particular, there are requirements and restrictions for exhaust pipe materials and for maximum exhaust system lengths from turbo outlet to muffler inlet.

Section 3 Dimensions

ABBREVIATIONS

Throughout this section and in other sections as well, abbreviations are used to describe certain characteristics on your vehicle. The chart below lists the abbreviated terms used.

Table 3-1. Abbreviations Used

A	OVERALL VEHICLE LENGTH
AF	FRAME RAIL OVERHANG LENGTH BEHIND REAR
B	FRONT BUMPER TO FRONT AXLE LENGTH
CA	BACK OF CAB TO REAR AXLE LENGTH
D	CAB HEIGHT
WB	WHEELBASE LENGTH
HA	HEIGHT AXLE
FAX	FRONT AXLE
EOF	END OF FRAME
CA	CAB TO AXLE
AE	AXLE TO END
TL	TOTAL LENGTH

TURNING RADIUS

Approximate turning radius specifications for the K270/K370 are listed (by wheelbase) in the following tables. Tables 3-2 and 3-3 list turn radius information for chassis with standard components. Optional components may give different results.

TABLE 3-2 Turning Radius

Model	Rear Axles	Tire, Bridgestone	Wheelbase Range, Inch (mm)	Curb to Curb Est. Radius, ft (m)	Wall to Wall Radius Est., ft (m)
K270	Single	R250F 245/70R19.5	166 (4216.4)	16 (4.9)	20 (6.1)
			178 (4521.2)	17 (5.2)	21 (6.4)
			190 (4826.0)	18 (5.5)	22 (6.7)
			202 (5130.8)	19 (5.8)	23 (7)
			214 (5435.6)	20 (6.1)	24 (7.3)
K370	Single	R227F 285/70R19.5	166 (4216.4)	17 (5.2)	22 (6.7)
			178 (4521.2)	19 (5.8)	24 (7.3)
			190 (4826.0)	20 (6.1)	25 (7.6)
			202 (5130.8)	22 (6.7)	27 (8.2)
			214 (5435.6)	23 (7)	28 (8.5)

OVERALL DIMENSIONS

This section includes drawings and charts of the base model K270/K370 vehicle, which includes a 8948 lb. K270 and 17,052 lb. K370 front suspension, a 16,000 lb. K270 and 21,000 lb. K370 rear suspension, a front R250F 245/70R19.5 and M729F 245/70R19.5 K270 tires, a R227F 285/70R19.5 and M729F 285/70R19.5 K370 tires. Use these drawings to plan overall vehicle configurations.

On the pages that follow, detail drawings show particular views of each vehicle component. They illustrate important measurements critical to designing bodies of all types. See the “Contents” at the beginning of the manual to locate the drawing you need.

Side View - K270

DIMENSIONS IN INCHES (mm)	166	178	190	202	214
CA	147.2 (3738.8)	158.2 (4018.2)	171.2 (4348.4)	183.2 (4653.2)	195.2 (4958)
AF	71.5 (1816)	83.5 (2120.9)	95.5 (2425.7)	107.5 (2730.5)	119.5 (3035.3)
WB	166 (4216.4)	178 (4521.2)	190 (4826)	202 (5130.8)	214 (5435.6)
OAL	288.3 (7322.8)	312.3 (7932.4)	336.3 (8542)	360.3 (9151.6)	384.3 (9761.2)

DIMENSIONS IN INCHES (mm)	SPRING	
	LADEN	UNLADEN
AMA	6.3 (160)	7.5 (190.5)
AMV	7.3 (185.42)	8.5 (215.9)
HA	32.2 (817.8)	34.5 (876.3)
HBV	3 (76.2)	

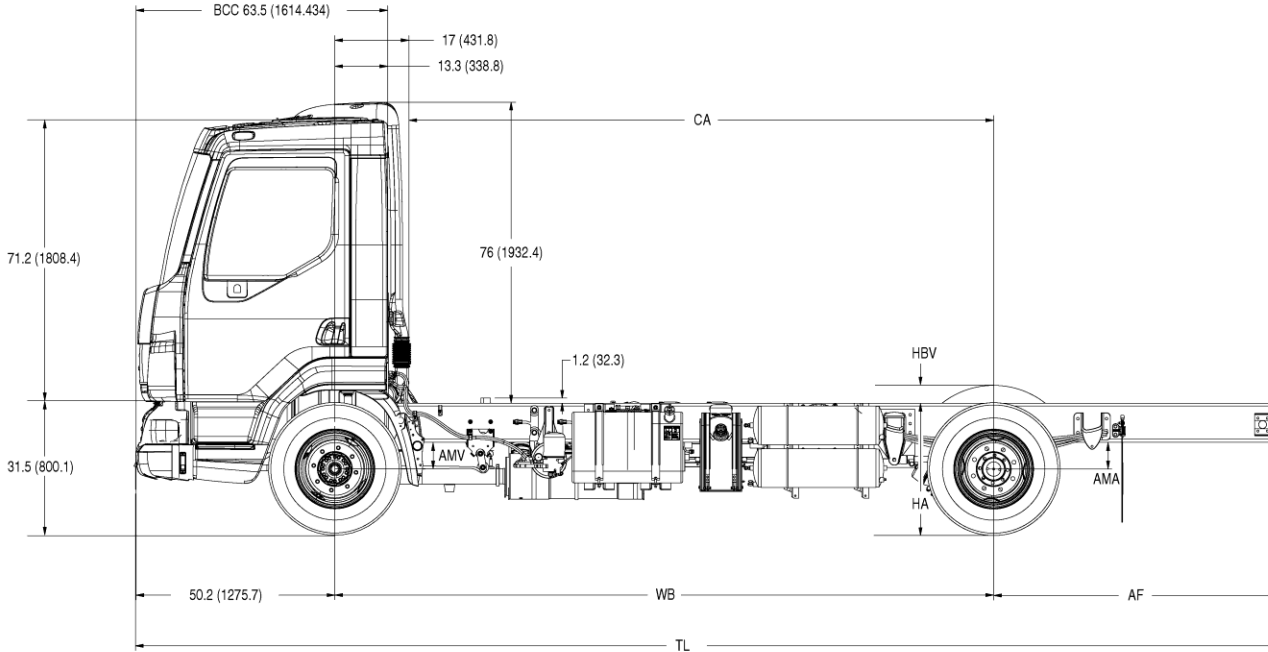


Figure 3-1. Side View — K 270 Height and Length Measurement

TABLE 3-3. Overall K270 Dimensions inches (mm)

K270	WB mm (in)	FAX to BOC mm (in)	FAX to Back of Intake mm (in)	Body Builder Useable CA mm (in)	Cab to Axle mm (in)	Overhang mm (in)	Cab to EOF mm (in)	Recommended Body Length ft
		4216.4 (166)	338.8 (13.3)	431.8 (17)	3733.8 (147)	3886.2 (153)	1816.1 (71.5)	5693.7 (224.2)
	4521.2 (178)	338.8 (13.3)	431.8 (17)	4038.6 (159)	4191.0 (165)	2120.9 (83.5)	6303.3 (248.2)	20
	4826.0 (190)	338.8 (13.3)	431.8 (17)	4343.4 (171)	4495.8 (177)	2425.7 (95.5)	6912.9 (272.2)	22
	5130.8 (202)	338.8 (13.3)	431.8 (17)	4648.2 (183)	4800.6 (189)	2730.5 (107.5)	7522.5 (269.2)	24
	5435.6 (214)	338.8 (13.3)	431.8 (17)	4953.0 (195)	5105.4 (201)	3035.3 (119.5)	8132.1 (320.2)	26

Section 3 Dimensions

Side View - K370

DIMENSIONS IN INCHES (mm)	166	178	190	202	214
CA	149.6 (3799.8)	161.6 (4104.6)	173.6 (4409.4)	185.6 (4714.2)	197.6 (5019)
AF	71.5 (1816.1)	83.5 (2120.9)	95.5 (2425.7)	107.5 (2730.5)	119.5 (3035.3)
WB	166 (4216.4)	178 (4521.2)	190 (4826)	202 (5130.8)	214 (5435.6)
OAL	290.8 (7386.3)	314.8 (7995.9)	338.8 (8605.5)	362.8 (9215.1)	386.8 (9824.7)

DIMENSIONS IN INCHES (mm)	SPRING	
	LADEN	UNLADEN
AMA	7.1 (180.3)	8.5 (215.9)
AMV	7.05 (179.1)	8.5 (215.9)
HA	33.3 (845.8)	35.6 (904.2)
HBV	3 (76.2)	

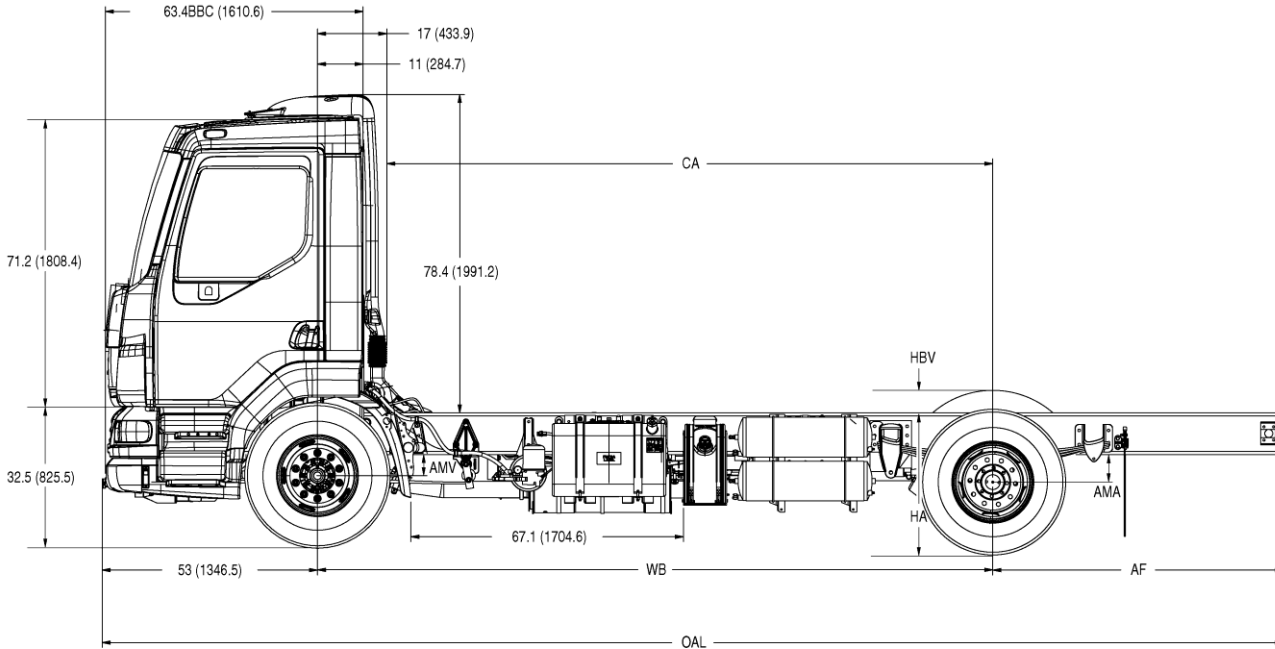


Figure 3-2. Side View —K 370 Height and Length Measurement

TABLE 34. Overall K370 Dimensions

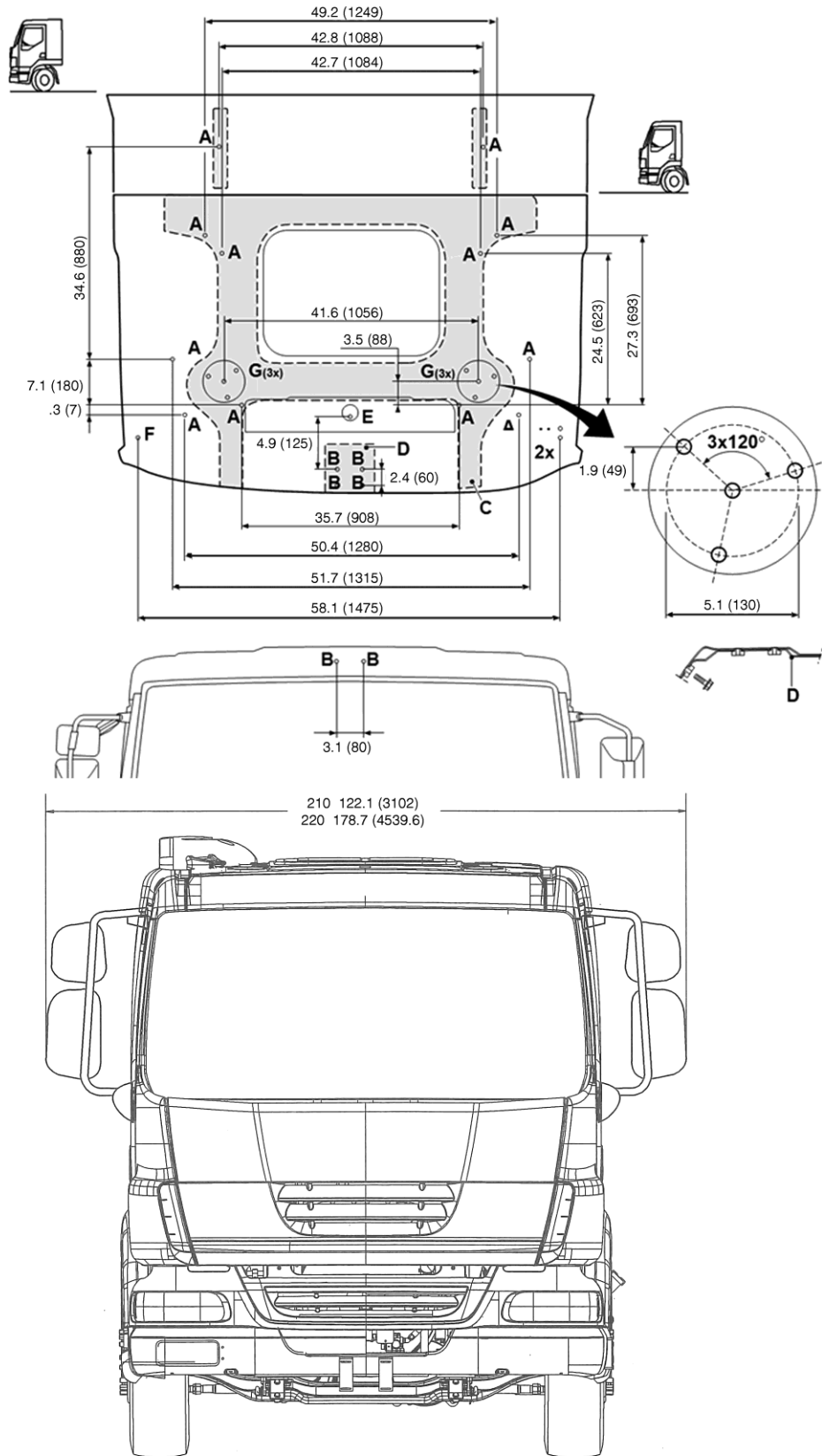
K370	WB mm (in)	FAX to BOC mm (in)	FAX to Back of Intake mm (in)	Body Builder Useable CA mm (in)	Cab to Axle mm (in)	Overhang mm (in)	Cab to EOF mm (in)	Recommended Body Length ft
	4216.4 (166)	288.8 (11.4)	381.0 (15)	3799.8 (149.6)	3926.8 (154.6)	1816.1 (71.5)	5743.7 (226.1)	18
	4521.2 (178)	288.8 (11.4)	381.0 (15)	4104.6 (161.6)	4231.6 (166.6)	2120.9 (83.5)	6353.3 (250.1)	20
	4826.0 (190)	288.8 (11.4)	381.0 (15)	4409.4 (173.6)	4536.4 (178.6)	2425.7 (95.5)	6962.9 (274.1)	22
	5130.8 (202)	288.8 (11.4)	381.0 (15)	4714.2 (185.6)	4841.2 (190.6)	2730.5 (107.5)	7572.5 (298.1)	24
	5435.6 (214)	288.8 (11.4)	381.0 (15)	5019.0 (197.6)	5146.0 (202.6)	3035.3 (119.5)	8182.1 (322.1)	26

Front and Rear Views —

K270/K370

inches (mm)

Section 3 Dimensions



Section 3 Dimensions

Front and Rear Views — K270/K370

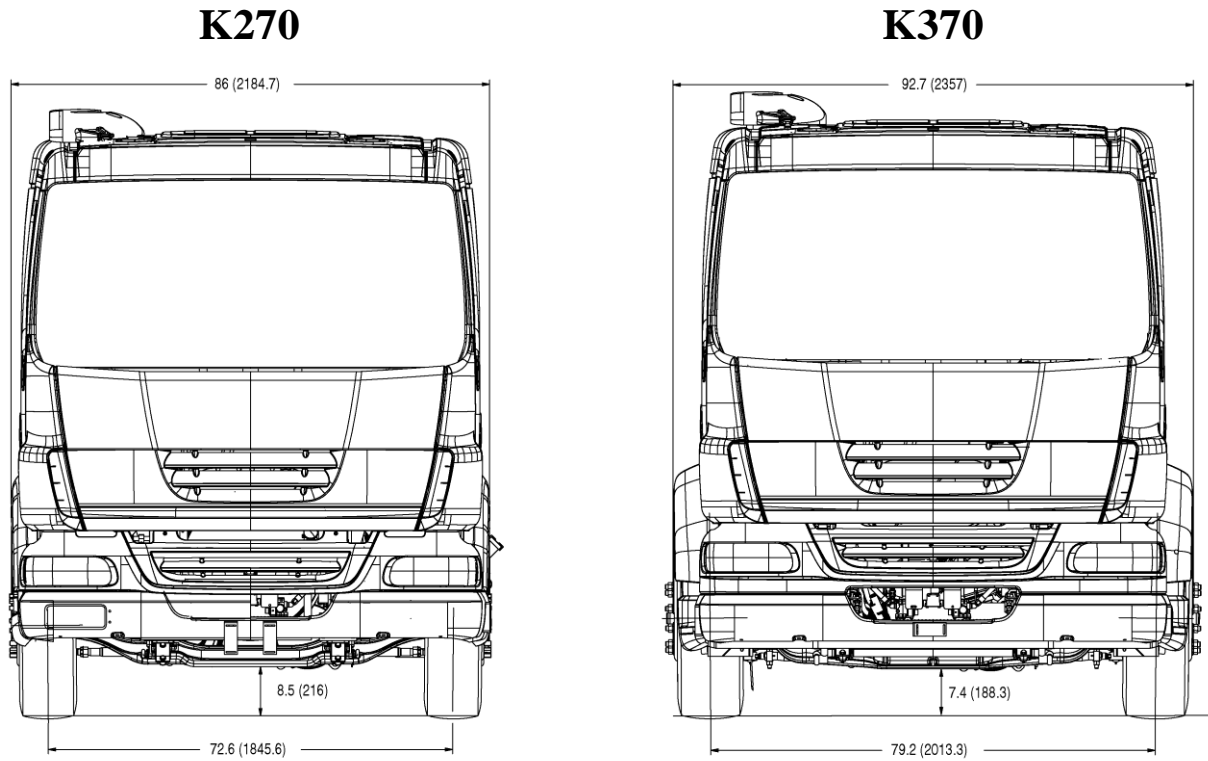


Figure 3-3. K270/K370 Front View: Width and Ground Clearance Measurements: inches (mm).

Front and Rear Views — K270/K370

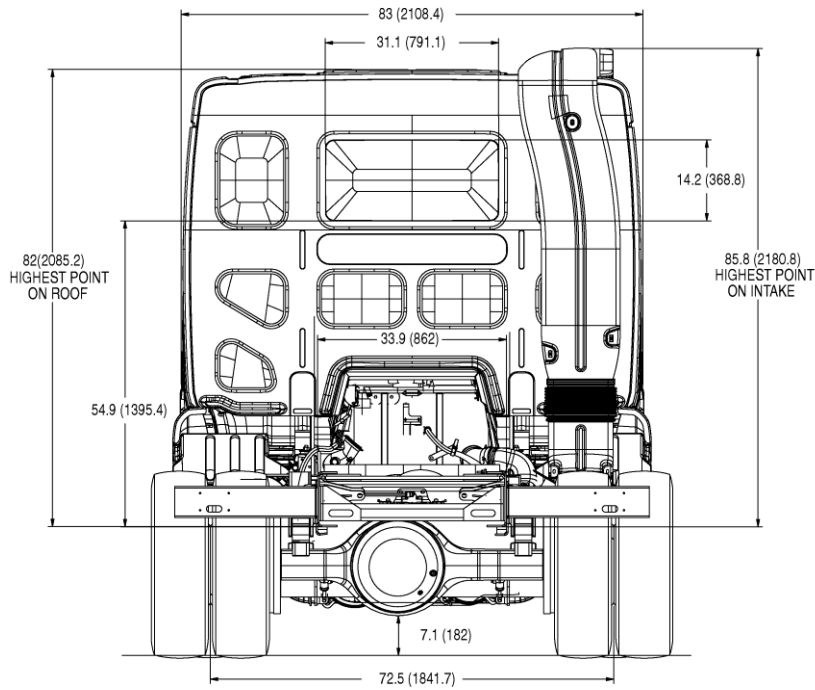


Figure 3-4. K270 Rear View: Width and Ground Clearance Measurements: inches (mm).

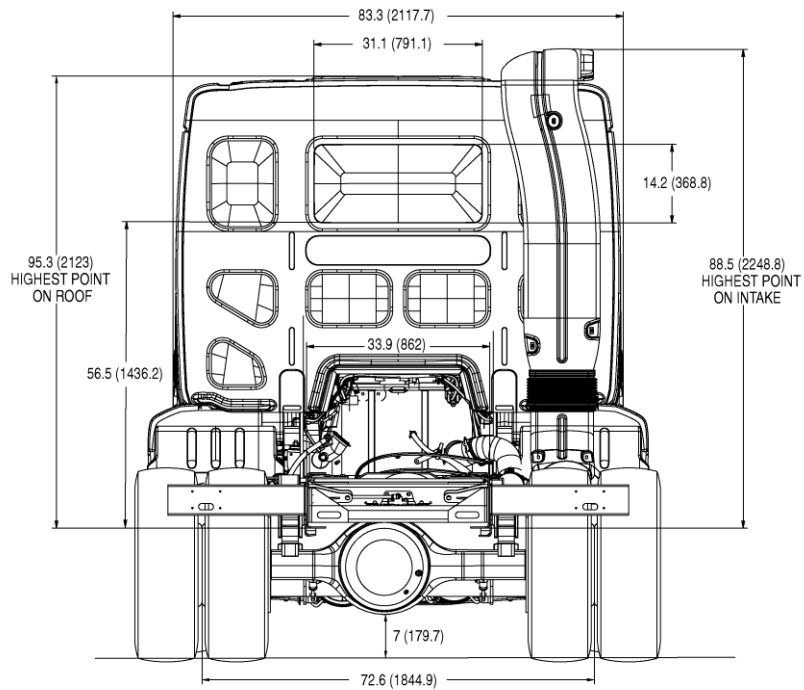


Figure 3-5. K370 Rear View: Width and Ground Clearance Measurements: inches (mm).

Section 3 Dimensions

DETAIL VIEWS

Left side: Chassis Heights –K270

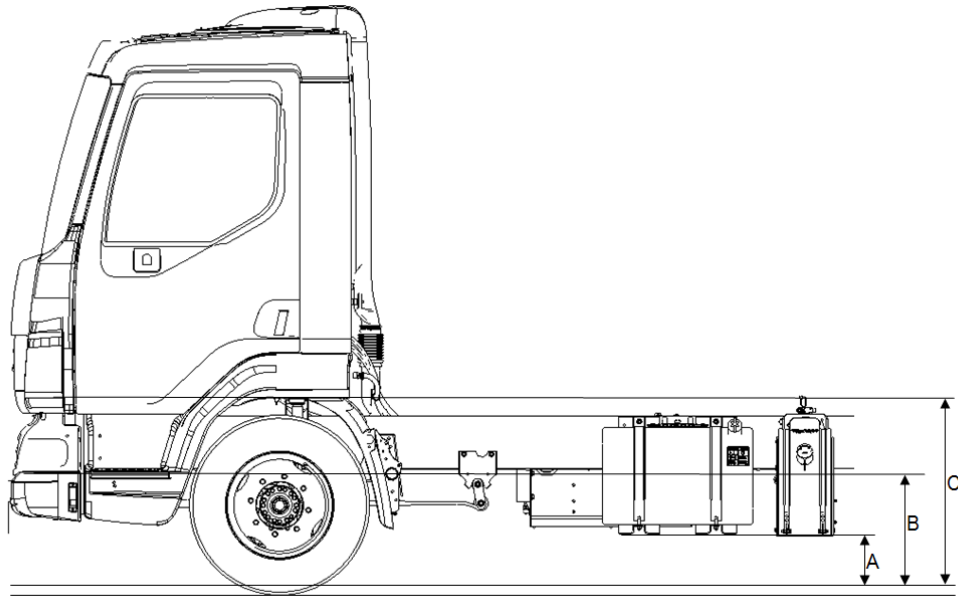


Figure 3-6. Cab Floor: Side View, Left Side

Table 3-5. K270 Battery Box Step and Cab Floor Measurements

POSITION	UNLADEN inches (mm)	LADEN inches (mm)
A FUEL SUPPORT STEP	10.1 (258)	8 (205.2)
B STEP	21.4 (546)	19(483.6)
C CAB FLOOR	33.6 (854.3)	31.2(793.49)

Detail Views Right side: Chassis Heights –K370

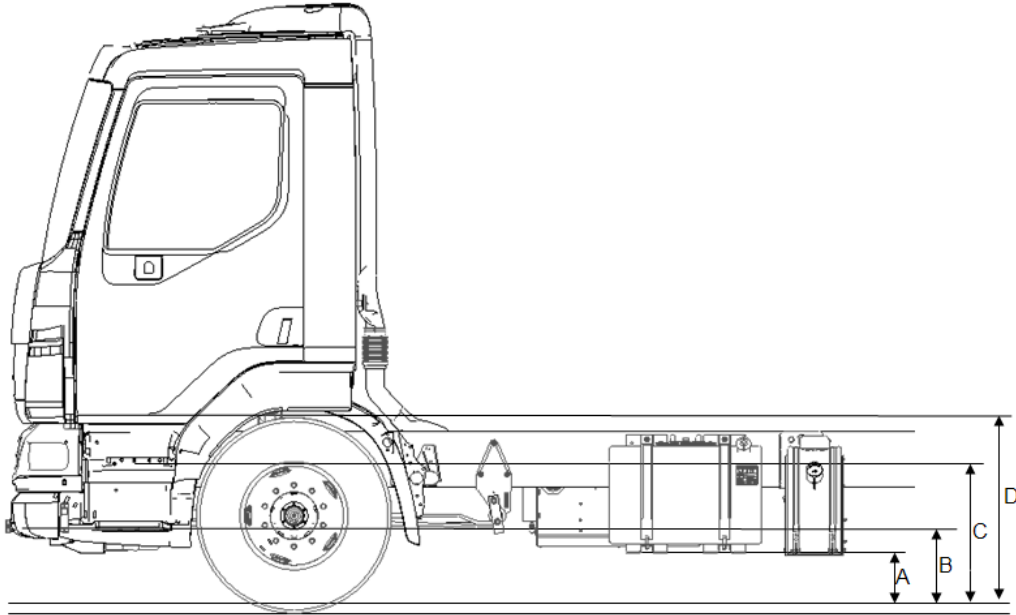


Figure 3-7. Cab Floor: Side View, Left Side

Table 3-6. K370 Battery Box Step and Cab Floor Measurements

POSITION	UNLADEN inches (mm)	LADEN inches (mm)
A FUEL SUPPORT STEP	10.5 (269)	7.5 (191.25)
B FIRST STEP	14.5 (369.4)	11.1 (281.9)
C SECOND STEP FLOOR	26.5 (673.7)	23 (585.9)
D CAB FLOOR	34.3 (872.6)	30.8 (784)

Table 3-7 Floor to Frame Measurements.

Frame Heights	LOADED inches (mm)		UNLOADED inches (mm)	
	Front Axle	Rear Axle	Front Axle	Rear Axle
K270	32.11 (815.3)	32.2 (817.3)	34.47 (875.5)	34.5 (876.1)
K370	32.65 (829.3)	33.3 (846.3)	36.08 (916.4)	35.6 (905.4)

Section 3 Dimensions

Detail Views Components Locations –K270

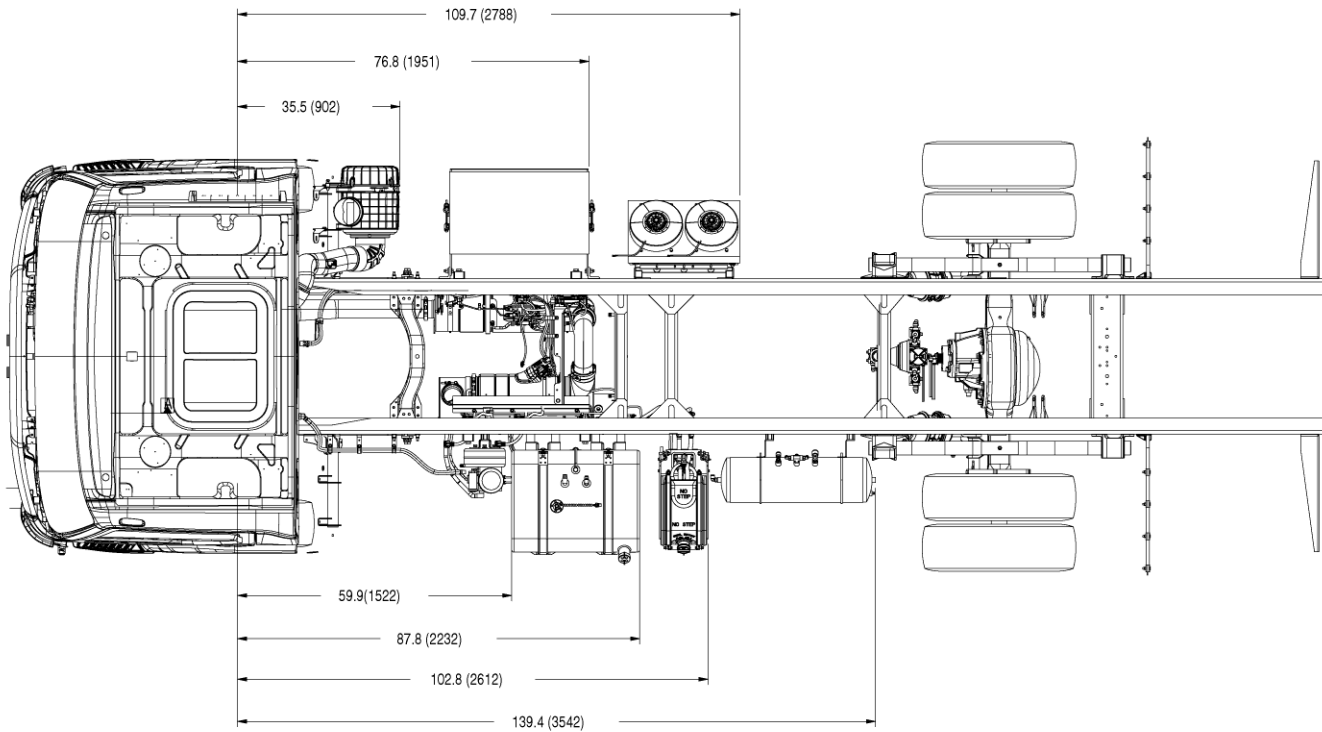


Figure 3 -7.1.1 K270 Battery Box, Fuel Tank, Air Tank, Urea Tank, Air to Oil Transmission Cooler and Crossmember Location Measured From Front Axle: inches (mm). For trucks built before and including 4/20/2012.

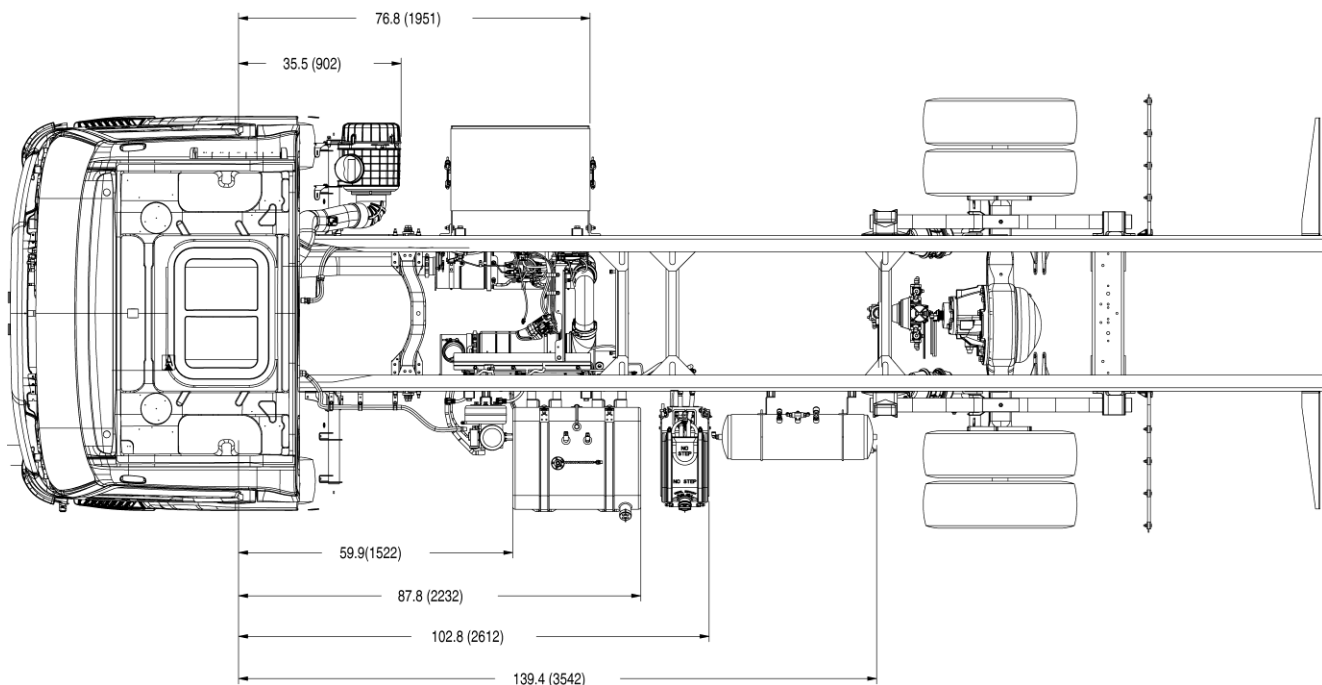


Figure 3 - 7.1.2 K270 Battery Box, Fuel Tank, Air Tank, Urea Tank, and Crossmember Location Measured From Front Axle: inches (mm). For trucks built after 4/20/2012.

Detail Views
Components Locations –K370

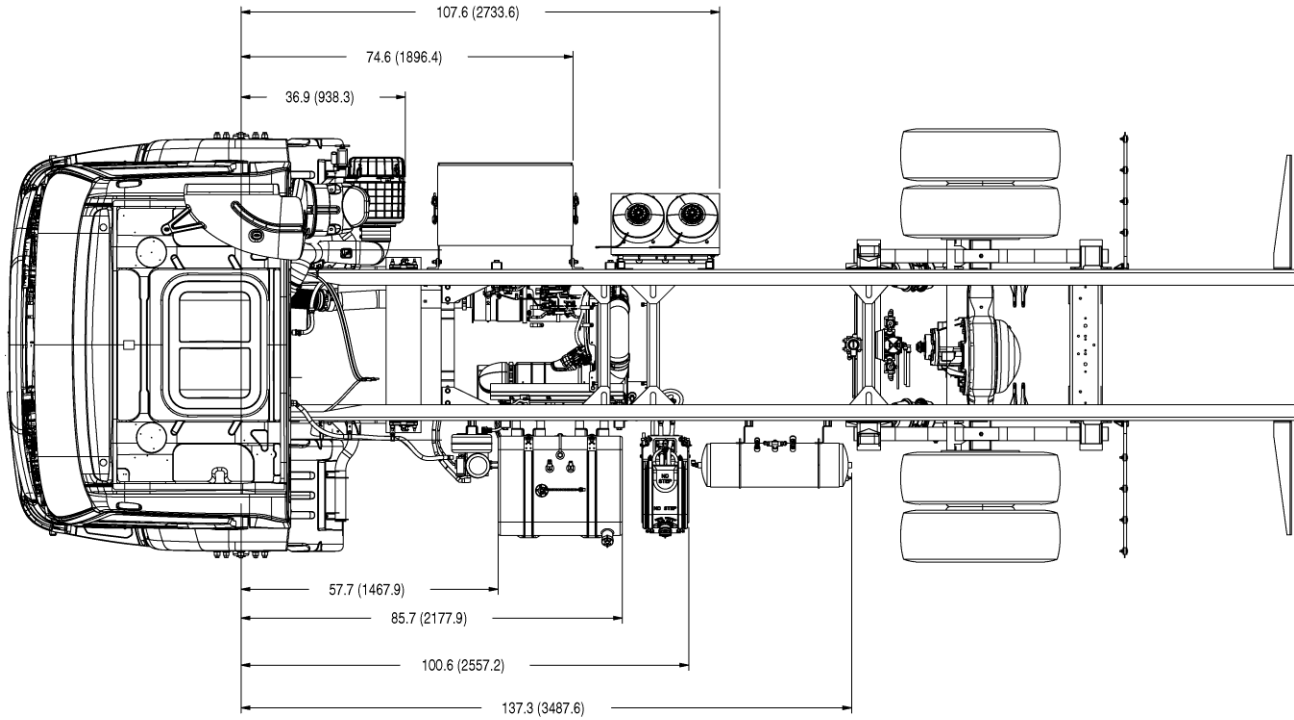


Figure 3 - 7.2.1 K370 Battery Box, Fuel Tank, Air Tank, Urea Tank, Air to Oil Transmission Cooler and Crossmember Location Measured From Front Axle: inches (mm).
For trucks built before and including 4/20/2012.

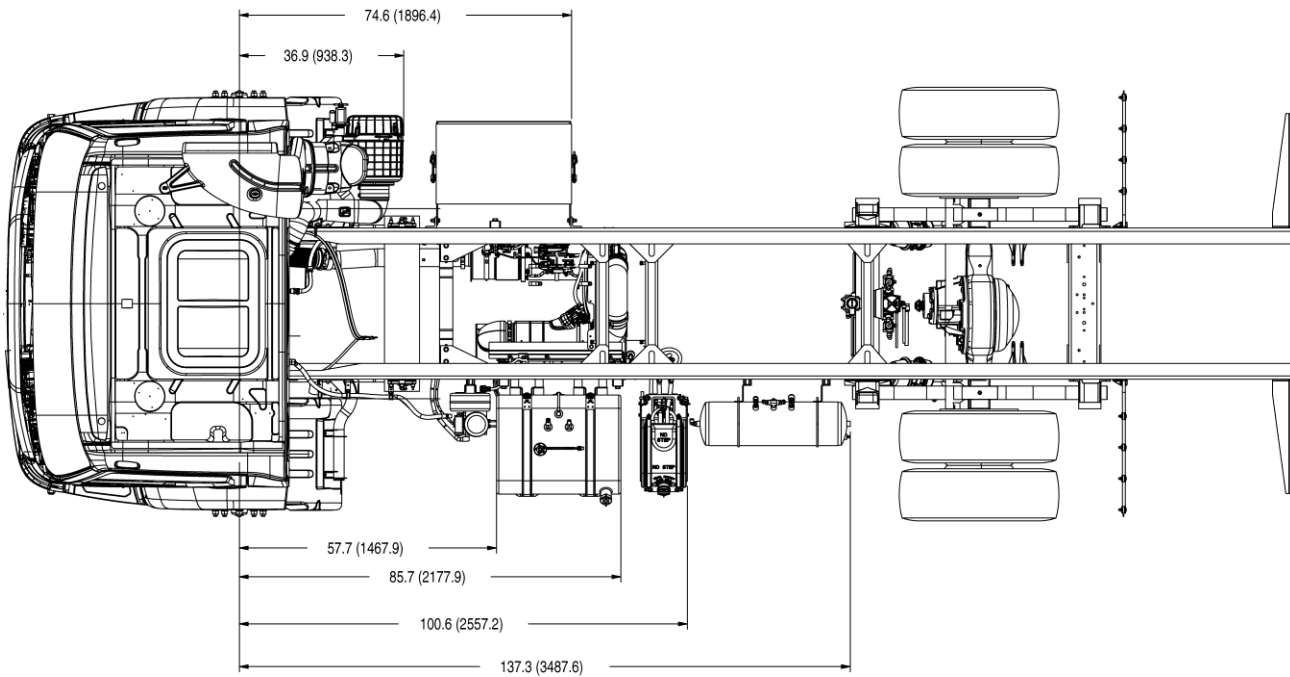


Figure 3 - 7.2.2 K370 Battery Box, Fuel Tank, Air Tank, Urea Tank, and Crossmember Location Measured From Front Axle: inches (mm). For trucks built after 4/20/2012.

Section 3 Dimensions

Detail Views Crossmember Locations –K270

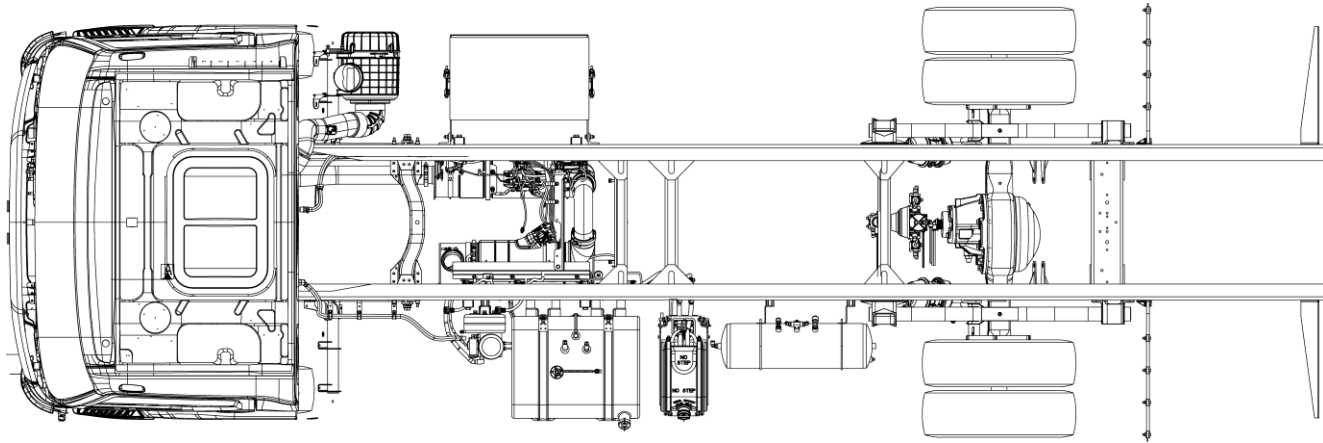


Figure 3-8.3. K270 Crossmember Location

TABLE 3-8.1. K270 Crossmember Location Measured From the Front of the Frame inches (mm)

K270	BOC C/M	1st C/M	2nd C/M	3rd C/M	Front susp C/M	Rear susp C/M	1st Rear C/M
WB 166	81.3 (2064.4)	125.3 (3183.4)	141.9 (3603.4)	Does Not Apply	184.4 (4683.3)	234.8 (5962.8)	Does Not Apply
WB 178	81.3 (2064.4)	125.3 (3183.4)	141.9 (3603.4)	Does Not Apply	153.3 (3894.7)	202 (5132)	Does Not Apply
WB 190	81.3 (2064.4)	125.3 (3183.4)	141.9 (3603.4)	131.6 (3342)	165.3 (4199.5)	214 (5436.8)	252.5 (6413)
WB 202	81.3 (2064.4)	125.3 (3183.4)	141.9 (3603.4)	183.6 (4663)	220.4 (5597.7)	270.8 (6877.2)	312 (7925.2)
WB 214	81.3 (2064.4)	125.3 (3183.4)	141.9 (3603.4)	185 (4700)	232.4 (5902.5)	282.8 (7182)	330 (8382.4)

Detail Views Crossmember Locations –K370

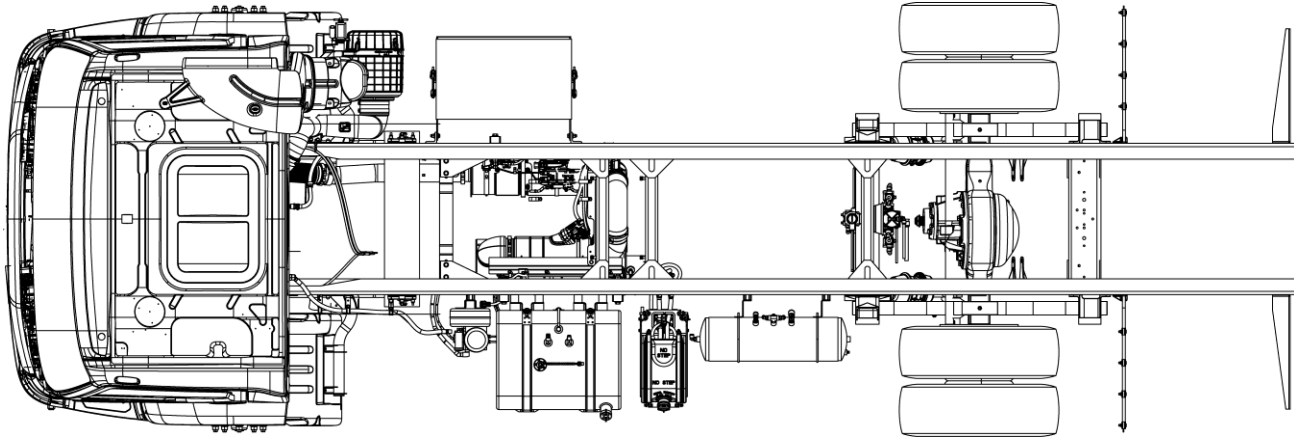


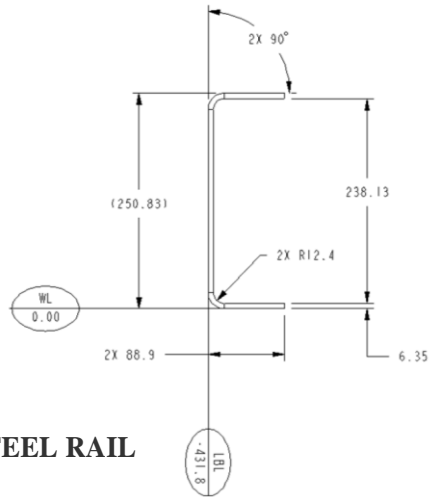
Figure 3-8.4. **K370 Crossmember Locations**

TABLE 3-8.2 K370 Crossmember Location Measured From Front Axle Centerline inches (mm)

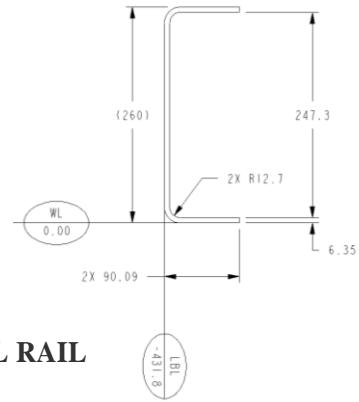
K370	BOC C/M	1st C/M	2nd C/M	Front susp C/M	Rear susp C/M	1st Rear C/M
WB 166	46.6 (1185)	92.9 (2358.4)	Does Not Apply	141.3 (3589.9)	190 (4827.2)	Does Not Apply
WB 178	46.6 (1185)	92.9 (2358.4)	173.1 (4397)	153.3 (3894.7)	202 (5132)	Does Not Apply
WB 190	46.6 (1185)	92.9 (2358.4)	173.1 (4397)	165.3 (4199.5)	214 (5436.8)	252.5 (6413)
WB 202	46.6 (1185)	92.9 (2358.4)	173.1 (4397)	177.3 (4504.3)	226 (5741.6)	270.5 (6870.2)
WB 214	46.6 (1185)	92.9 (2358.4)	140.1 (3558)	189.3 (4809.1)	238 (6046.5)	288.5 (7327.4)

Section 3 Dimensions

Frame Rail Configurations



K270
9-7/8 STEEL RAIL



K370
10-1/4 STEEL RAIL

FIGURE 3-9. K270/K370 Rail Measurements

TABLE 3 - 9. Frame Rail Strength Characteristics

RAIL STRENGTH	10.25" Rail (K370)	9.875" Rail (K270)
Yield Strength, PSI	120,000	120,000
Section Modulus, in ³	11.65	10.45
RBM, Lbs-Inch	1,398,664	1,254,404

Battery Box, Fuel Tanks and Air Tanks — K270/K370

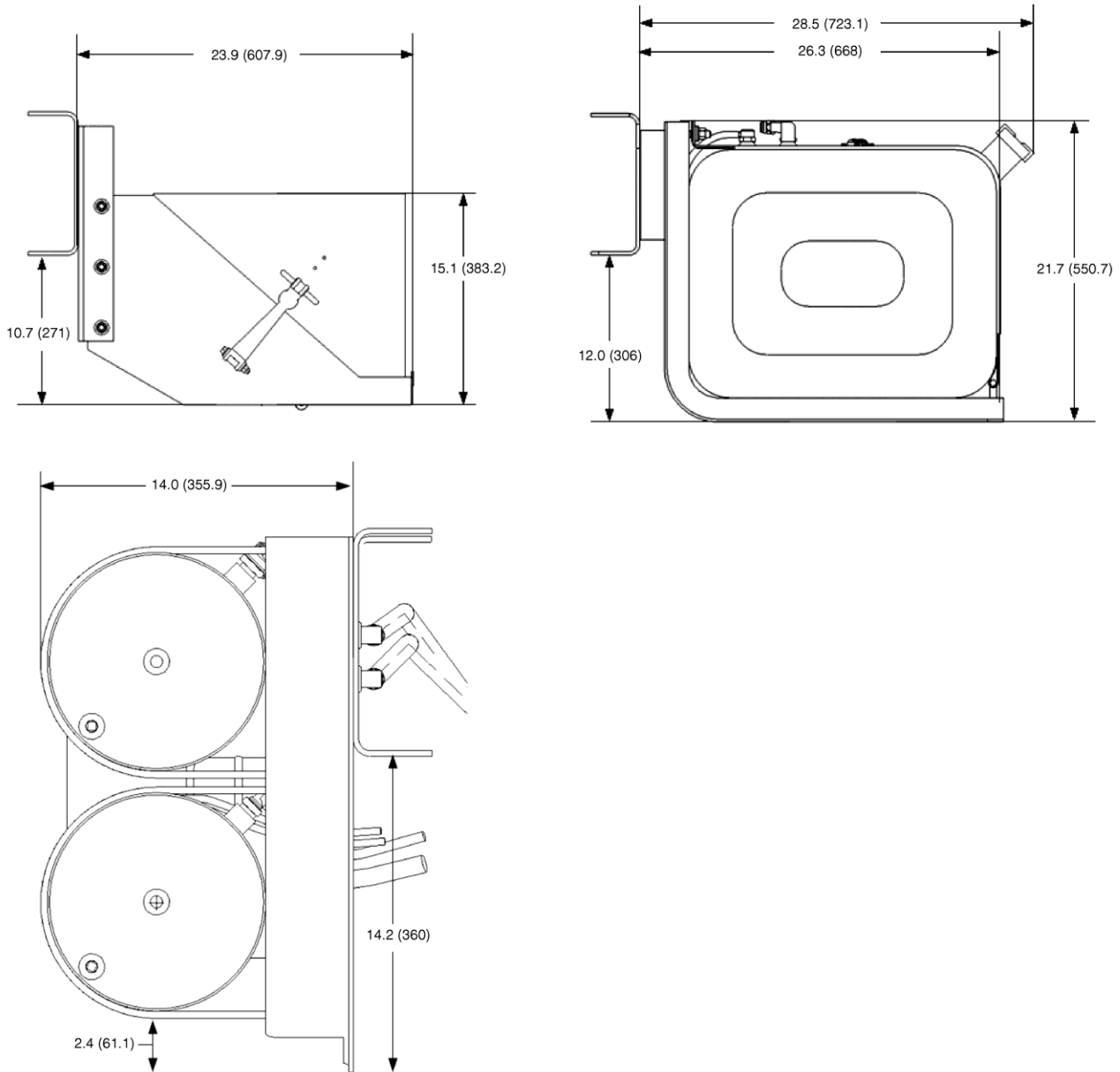


FIGURE 3-10. K270/K370 Battery Box, Fuel Tank and Air Tanks Measurement mm (in)

Section 3 Dimensions

Detail Views DPF & SCR Locations – K270/K370

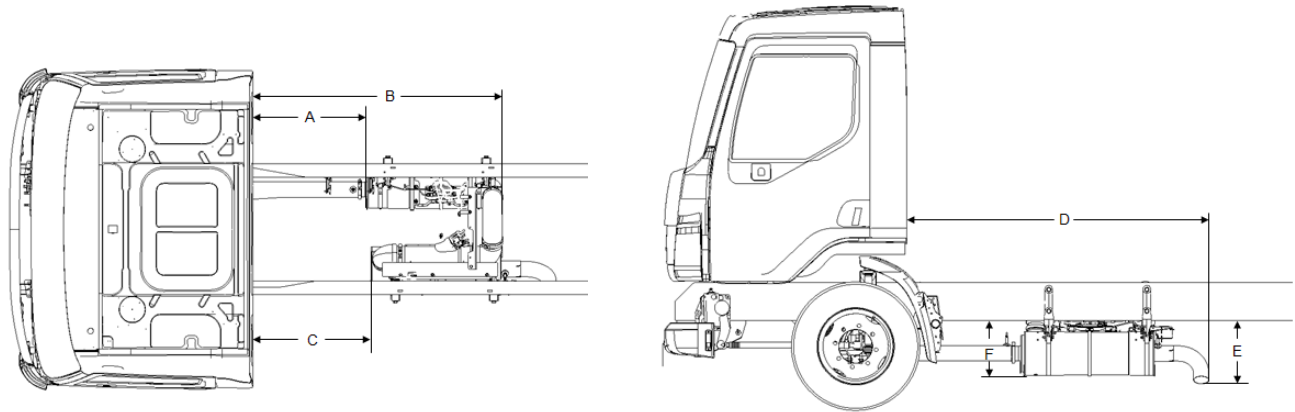
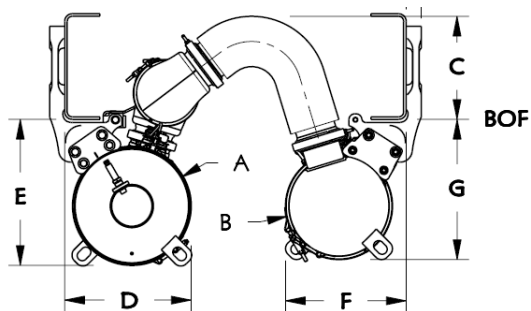


FIGURE 3-11. K270/K370 Exhaust Measurements

Model	A	B	C	D	E	F
K270	29.6 (751.4)	64.8 (1645.3)	30.7 (780.7)	78.8 (2002)	16.5 (420)	14.6 (370.4)
K370	40.8 (1036.4)	76 (1930.3)	42 (1065.7)	90.1 (2287.3)	16.5 (420)	14.6 (370.4)

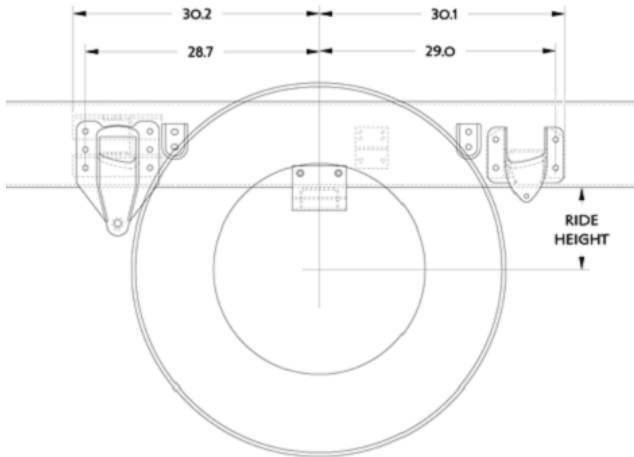
TABLE 3-10. K270/K370 Exhaust Location Measured From BOC inches (mm)



Model	A	B	C	D	E	F	G
K270	5.7 (145)	5.3 (134)	9.9 (250.8)	12.6 (320.4)	16.5 (420.2)	12 (304.2)	14 (354.2)
K370	5.7 (145)	5.3 (134)	10.2 (260)	12.6 (320.4)	16.5 (420.2)	12 (304.2)	14 (354.2)

TABLE 3-11. K270/ K370 Exhaust Location Measured From BOC inches (mm)

Reyco 79KB Single Rear Axle



Suspension	Rating	Axle Spacing	Laden Ride Height	Unladen Ride Height
Reyco 79KB single	21K	-	6.6"	9.0"

TIRE DATA

For dimensions for your particular Bridgestone tire, visit the Bridgestone website, www.bridgestonetrucktires.com

FRAME AND CAB RELATED HEIGHTS

The bottom of the frame rail (BOF) at the front and rear axle can be used as a reference point to estimate vertical heights. Use the following to calculate estimates for frame and cab related heights, such as top of frame rail, step height, top of exhaust pipe, etc.:

- 1.) Tire radius data from the manufacturer
- 2.) Front and rear suspension ride heights in this section
- 3.) Frame rail heights defined in this section if needed
- 4.) Component dimensions from bottom of rail defined in this section if needed

Note that there are many factors that will affect heights including, but not limited to, front and rear axle loading and tire pressure. Placement of frame components such as fuel tanks, will affect loads on the front axle and rear axle, as well as distribution to the left and right side of the vehicle. Heights calculated from this information are estimates only.

GROUND CLEARANCES

To calculate estimates for ground clearance for mounted components using the underside of the bottom of the frame rail as a reference use the following:

- 1.) Tire radius data from the manufacturer
- 2.) Front and rear suspension ride heights in this section
- 3.) Component dimensions from bottom of rail defined in this section

Ground clearances, like height calculations, are affected by factors including, but not limited to, front and rear axle loading and tire pressure. Placement of frame components, such as fuel tanks, will affect loads on the front axle and rear axle, as well as distribution to the left and right side of the vehicle. Ground clearances calculated from this information are estimates only.

Section 3 Dimensions

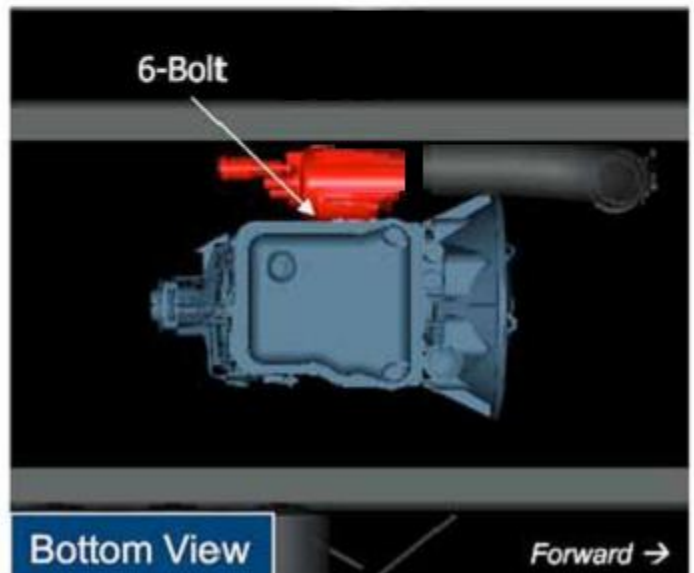
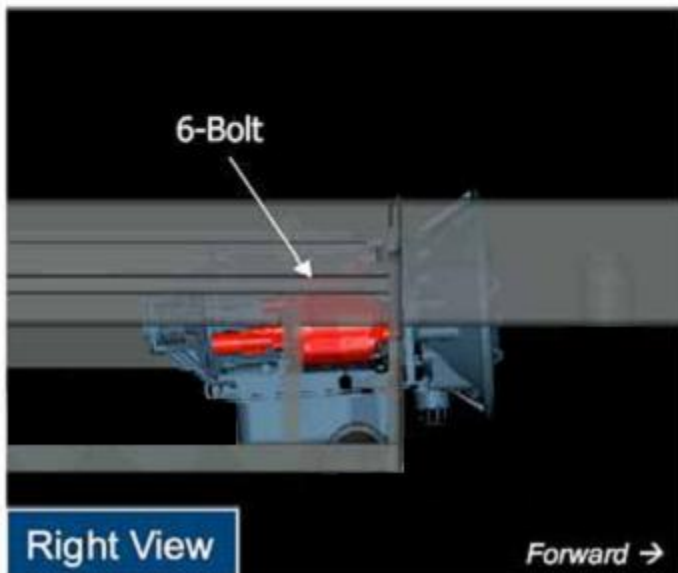
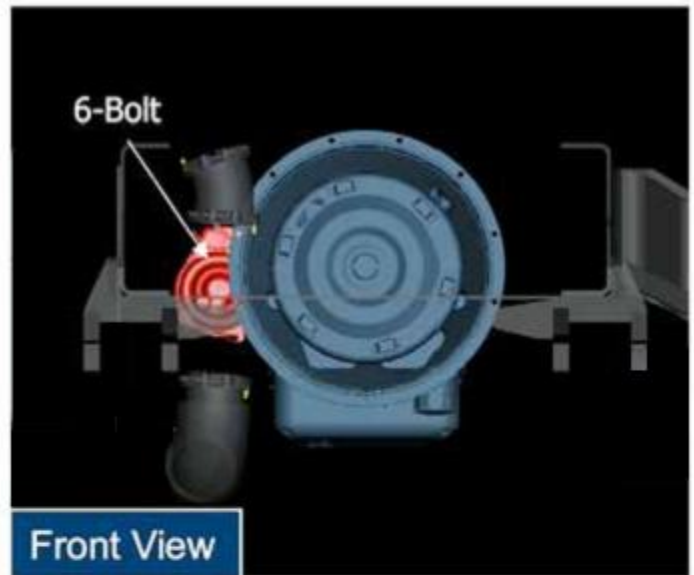
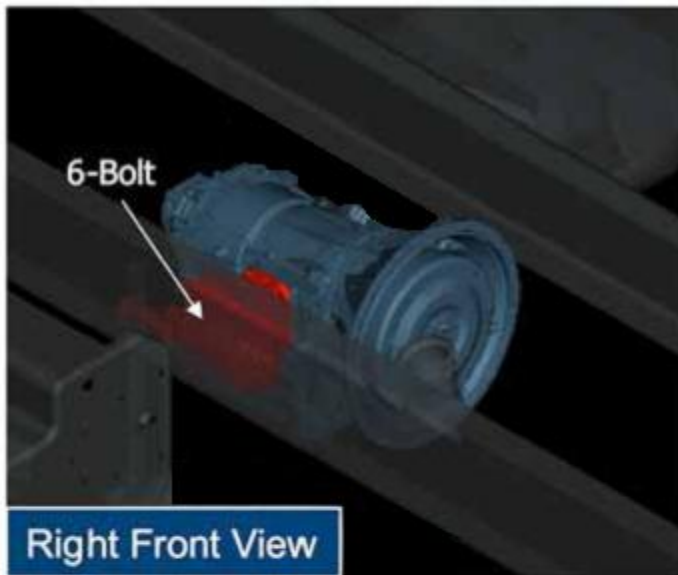
PTO Clearances

The following visuals are provided to help aid in determining PTO locations and clearances. For specific dimensions please work through your local Kenworth dealer. Multiple PTO's are shown for layout purposes only. Power equipment, i.e., drive shafts & power pumps are not included. Body builders should select the appropriate, Chelsea or Muncie 24V electric over air PTO's for their application and customer requirements.

NOTE: All installations are only RH side PTO locations shown below are for reference only.

In order to ensure the PTO area remains clear of air equipment, electrical and emissions equipment, Kenworth recommends always ordering PTO controls, even when installing the PTO aftermarket. Contact your local dealer for assistance.

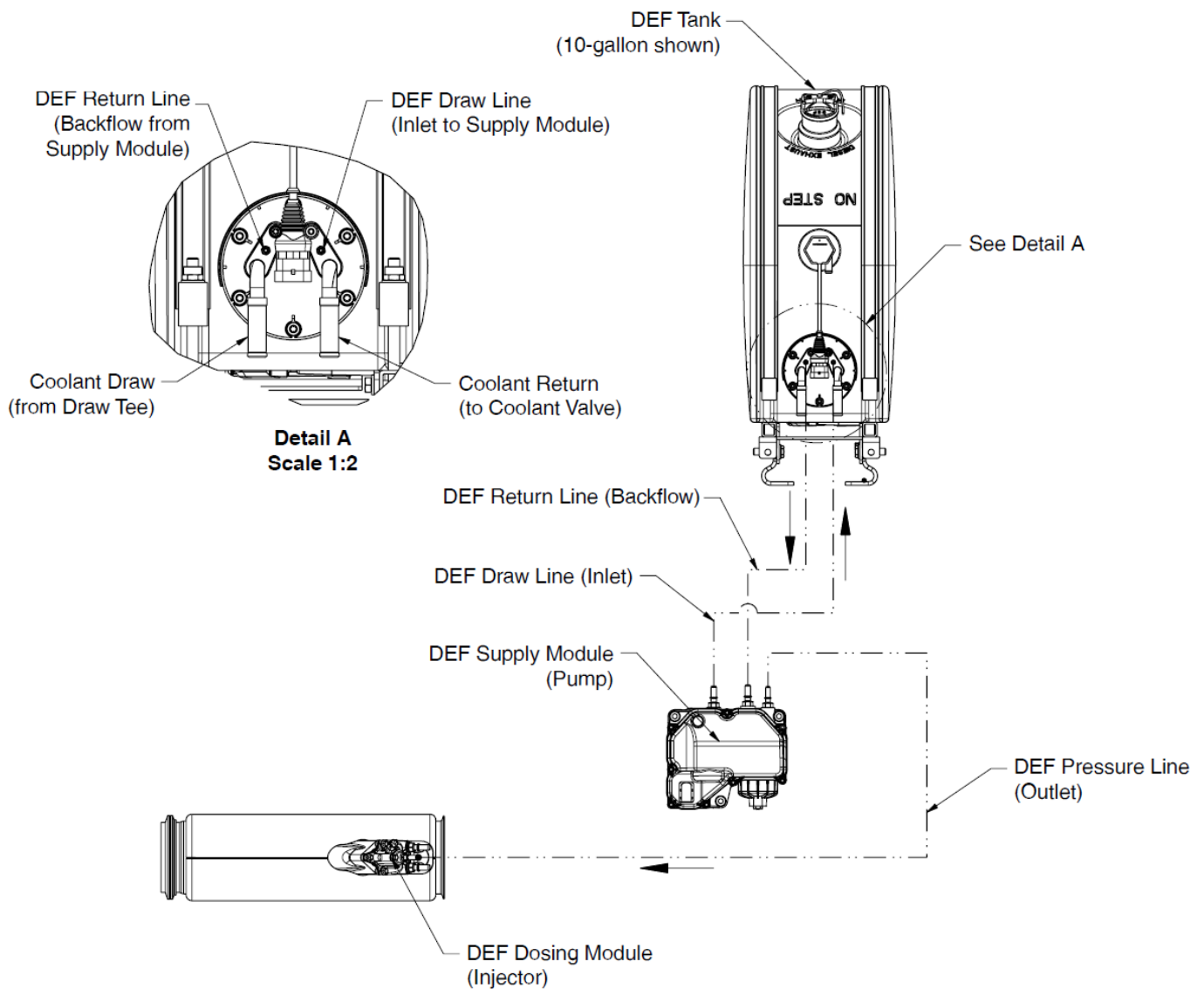
Automatic Transmission – Allison 2000:



EXHAUST AND AFTERTREATMENT INFORMATION

The following section is designed to give you information regarding the exhaust and after-treatment systems on Kenworth chassis. All Kenworth's equipped with 2010 emission level engines will utilize Selective Catalyst Reduction (SCR). SCR is a process in which Diesel Exhaust Fluid (DEF) is injected into the exhaust down stream of the engine. DEF is converted to ammonia by the heat of the exhaust system. Inside of the SCR canister a catalyst causes a chemical reaction to occur between the ammonia and NOx, turning it into water and nitrogen. For more information on the specific details of how SCR works, please contact your local Kenworth dealer.

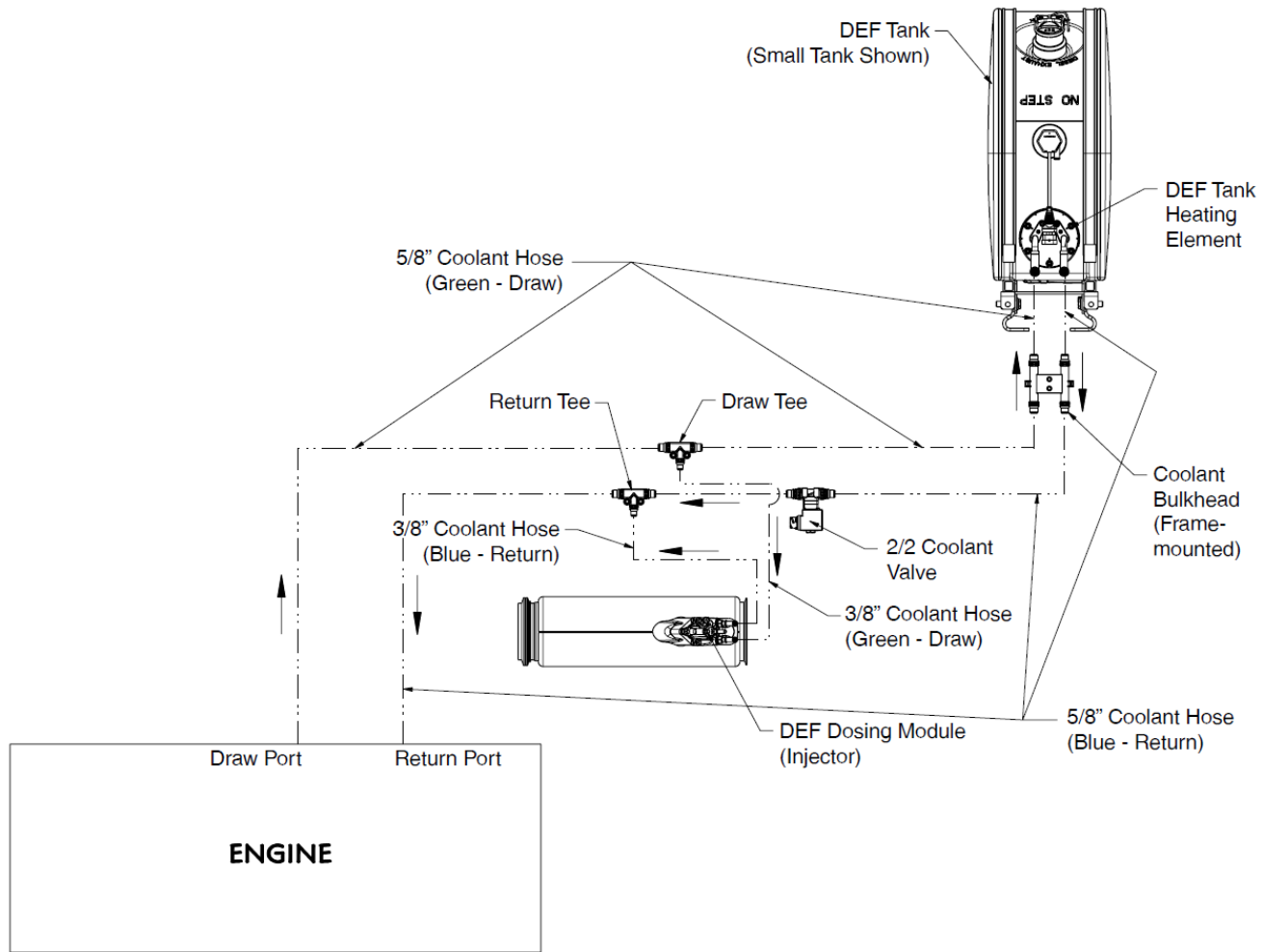
On most Kenworth chassis the DEF Supply Module (or pump) is integrated into the DEF tank. Kenworth does not allow relocation of this pump. The following schematic details how the DEF lines route to the after-treatment system.



Section 4

Exhaust & Aftertreatment

DEF will freeze at approximately 11° F (-12° C). In order to keep DEF from freezing all tanks will be heated with engine coolant. The following schematic shows the routing of these lines. The coolant lines that run to and from the SCR system must not be tampered with, or used for a source of heat and/or cooling for other components on the chassis. It is critical that the system is not compromised in any manner.



General Guidelines for DEF System

The installation of the DEF tank is a critical component of the SCR system. While Kenworth does not recommend relocating the DEF tank, there are applications and body installations that will require it. The guidelines below must be strictly followed by any entity relocating the tank. Failure to follow the guidelines completely and accurately may result in engine shutdown situations. Kenworth offers a variety of DEF tank sizes to meet every application.

The DEF tank volume is regulated by the E.P.A.

Kenworth advises against modifying the tank volume after the truck has been delivered from the factory.

- Total DEF capacity **must** meet or exceed 6% of the usable fuel capacity on the truck. The calculation to determine DEF capacity is:

Minimum DEF Tank Volume = Useable Fuel Capacity (gal) x 0.06.

Example: For a truck with 45 useable gallons of fuel, the equation is .

DEF required = 45 x 0.06 = 2.7 gallons or more of DEF.

PACCAR-approved DEF hoses are required when retrofitting for system to function properly. The use of unapproved hoses for DEF lines will void warranty and may cause engine shutdown situations. The DEF pump (or Supply Module) can not be relocated from the DEF tank. In addition, the Medium Duty Rectangular DEF Tank, that is used to meet clear back of cab requirements, cannot be relocated.

Installation Requirements and Dimensions for DEF System

When relocating any DEF system components, the locations must meet the guidelines below. Failure to comply may result in non-conformance to EPA standards and engine shutdown.

DEF piping relative heights: In order to ensure proper functionality of DEF system, the height differences in the guidelines below must be followed during line routing and component placement.

When relocating the components the maximum pressure DEF hose length, from Supply module to Dosing Module, is 3 meters (118”).

Maintain a minimum of 3” (76mm) clearance to shielded exhaust components when routing DEF lines to prevent possible melting. If the DEF tank is relocated the coolant lines will need to be modified. During this process if the tank is moved forward on the chassis (ie closer to the engine) it is necessary to remove excess coolant lines and maintain the original routing path. If the tank is moved rearward on the chassis the additional length of cooling line required to complete the installation must be installed in a straight section of the existing coolant routing lines. This process will minimize the change in coolant flow by minimizing changes in restrictions. Increase in restriction occurs with excessive line length and bends. Work with your local Kenworth dealer if you are unsure about the coolant line modifications.

Section 4 Exhaust & Aftertreatment

Measurement Reference Points

For all relocation procedures, the measurement points will referenced in the guidelines are taken from the following specific points:

Supply Module: The supply module is commonly called a pump. The measurement point on the supply module is the top of the DEF fluid pressure line. See Figure 4-1.



Figure 4-1: Measurement Location of DEF Supply Module (Pump)

Dosing Module: The dosing module is commonly called an injector, this injector is located on the SCR mixing pipe which is between the DPF and SCR canister. The measurement point on the dosing module is the top of the DEF fluid pressure line. See Figure 4-2.



Figure 4-2: Measurement Location of DEF Dosing Module (Injector)

The following relocation guidelines are dependent on exhaust configuration and DEF tank type and location.

The Dosing Module should not need to be relocated. However if it is removed for any reason, it is critical that the module be reinstalled at the correct orientation. Figure 4-3 below illustrates the correct installation orientations. The angle references the vertical plane.

Installation orientation of Dosing Module

: Between + 45° and + 85°

: Between - 45° and - 85°

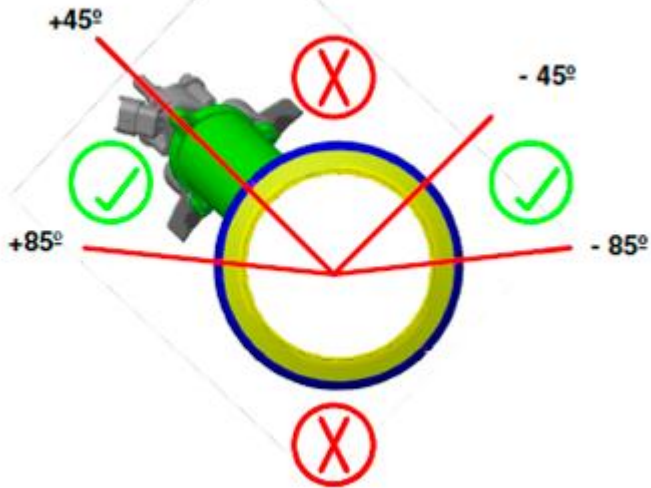


Figure 4-3: Orientation of Dosing Module

Routing to the Dosing Module (Injector)

It is important for the function of the dosing module to ensure that the dosing module is not routed downstream of DEF lines or components. If this is unavoidable (for example on RH under exhaust systems) or Horizontal (Series) Exhaust a routing trap must be installed. A minimum of 12" of line length must be routed below the dosing module, in order to catch any leftover DEF when system is purged.

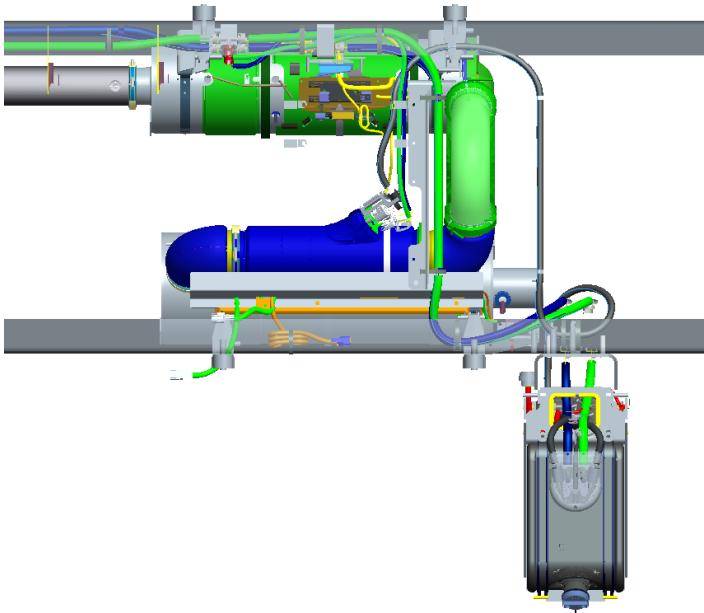


Figure 4-4: Routing DEF Lines and DEF Trap

GENERAL EXHAUST INFORMATION

Kenworth will offer one DPF and SCR exhaust systems on K270/K370 chassis in 2012.
A Horizontal Crossover system for K270/K370 models where DPF, SCR and tailpipe are installed side by side with LH horizontal tailpipe.

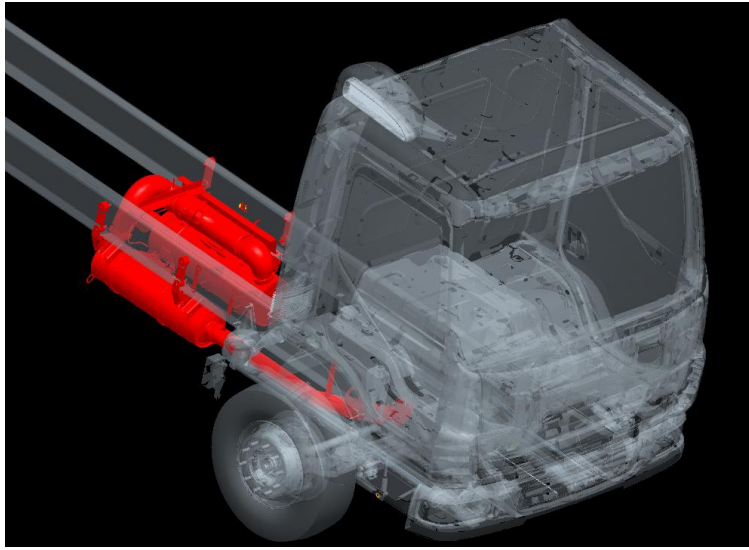


Figure 4-5: Horizontal Crossover DPF and SCR with Horizontal Tailpipe

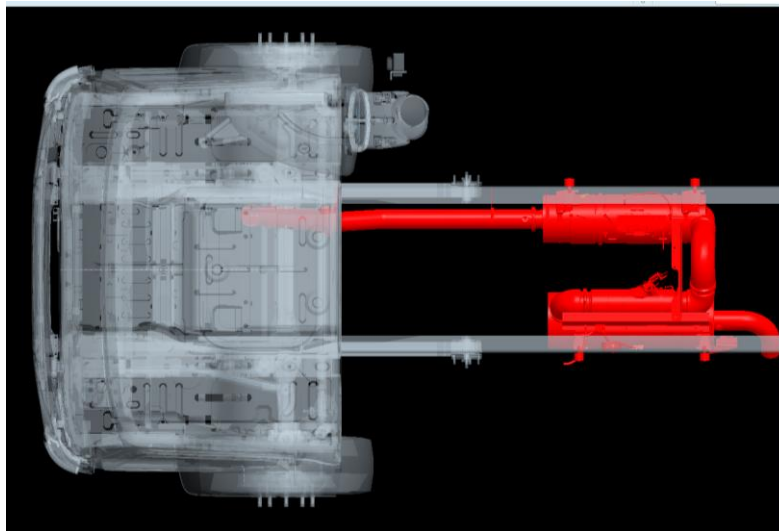


Figure 4-5.1: Top view of Horizontal Crossover DPF and SCR with Horizontal Tailpipe

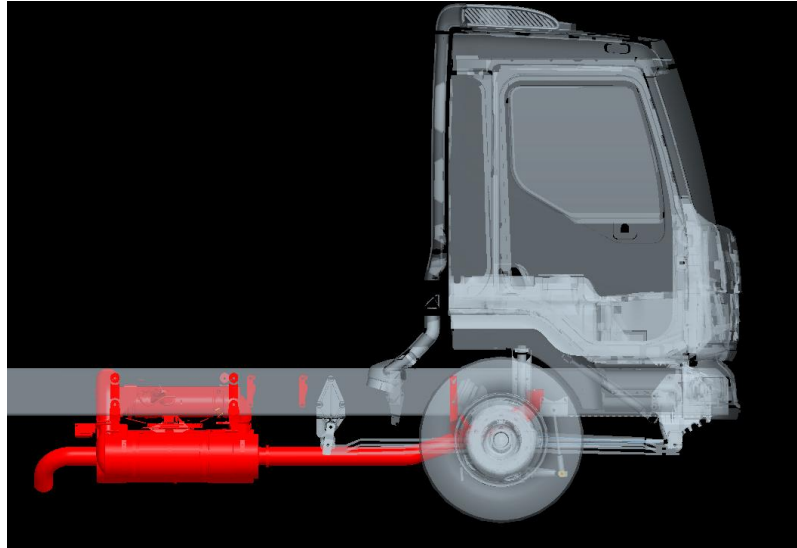


Figure 4-5.2: Right view of Horizontal Crossover DPF and SCR with Horizontal Tailpipe

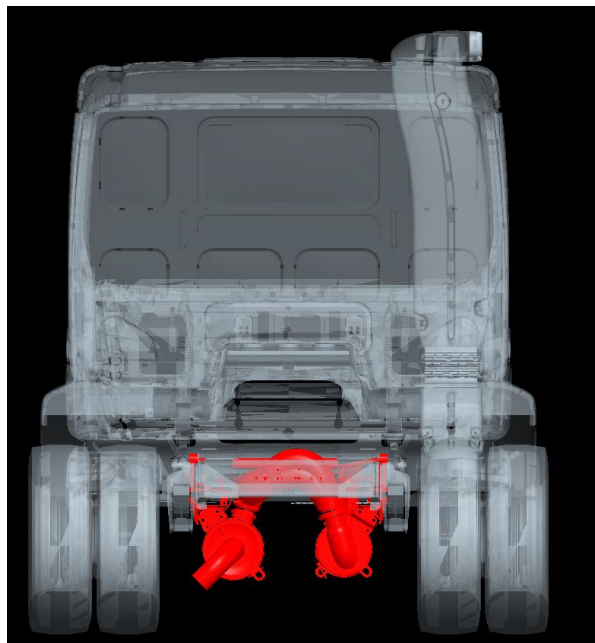


Figure 4-5.3: Back view of Horizontal Crossover DPF and SCR with Horizontal Tailpipe

Section 5

Frame Layouts and Body Mounting

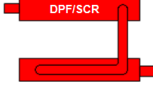

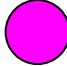

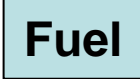
FRAME LAYOUTS

The dimensions in the frame layout section are intended to aid in layout of the chassis, and to help determine the best possible combination of fuel tanks, battery boxes, the diesel particulate filter (DPF), SCR canister, and Diesel Exhaust Fluid (DEF) tank. For your application, the layouts focus on the under cab area, with appropriate dimensional information included for pertinent back of cab components. Not all optional equipment is included in this section. Additional components may be placed on the rail behind components shown. The Back of Cab components are shown primarily for reference. For more specific requirements please work with your local Kenworth Dealer. Please read the instructions carefully. The following dimensions are consistent across the entire section to aid in the comparison of one layout option versus another.

The visual index that follows will give you a quick overview of the layout that is included.

Visual Index

TABLE 5-1.2

Symbol	Description
	Horizontal Crossover DPF/SCR
	Battery Box
	Air Dryer
	DEF Tank
	Fuel Tank

Section 5

Frame Layouts and Body Mounting

Acronyms Index

Throughout the Frame Layout section you will see these acronyms. They are defined here to help you decode the layouts.

- BOC - Back Of Cab
- LHUC - Left Hand under Cab
- CBOC - Clear Back of Cab
- RHUC - Right Hand under Cab
- DEF - Diesel Exhaust Fluid
- SOC - Side Of Cab
- DSOC - Dual Side Of Cab

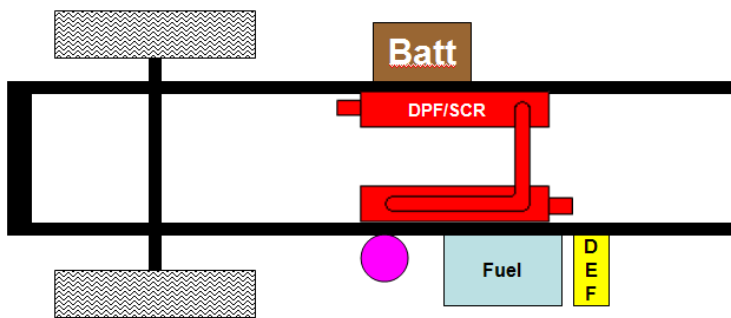


Figure 5-1: Horizontal Crossover DPF/SCR, LH horizontal tailpipe, RH BOC rectangular fuel tank, RH BOC rectangular DEF tank and LH BOC battery box

Section 5 Frame Layouts and Body Mounting

CRITICAL CLEARANCES Rear Wheels and Cab

CAUTION: *Insufficient clearance between rear tires and body structure could cause damage to the body during suspension movement. Allow at least 8 inches clearance (See Figure 5-2.)*



Normal suspension movement could cause contact between the tires and the body. To prevent this, mount the body so that the minimum clearance between the top of the tire and the bottom of the body is 8 inches (203 mm). This should be measured with the body empty. See Figure 5-2.

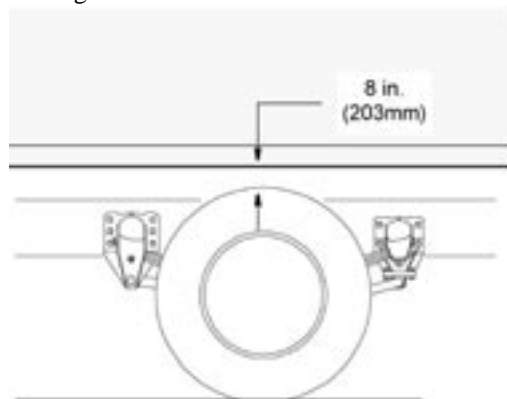


FIGURE 5-2. Minimum Clearance Between Top Of Rear Tires And Body Structure Overhang.

CAUTION: Maintain adequate clearance between back of cab and the front (leading edge) of mounted body. See Figure 5-2.



Note: Be sure to provide maintenance access to battery box and fuel tank fill neck.

The true distance from the centerline of the front axle to the back of the cab is 13.3 inches (337.8mm) for K270 and 11 inches for K370 (279.4 mm). It is recommended that the leading edge of the body be mounted a minimum of 4 inches (102 mm) behind the cab. The result is a minimum back-of-cab clearance of 17.3 for K270 and 15 inches for K370 (381 mm) from the front axle to the leading edge of the body(A).

See SECTION 3 “DIMENSIONS” for further details on dimensions and clearances.

Also, see APPENDIX B “WEIGHT DISTRIBUTION” for explanation of back-of-cab (BOC)/CA calculations.

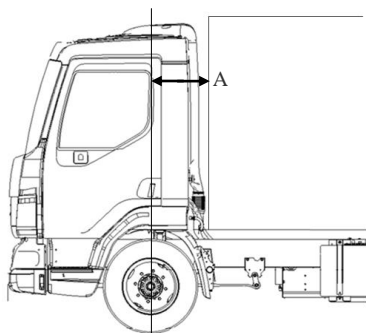




FIGURE 5-3. Minimum Back of Cab Clearance

Section 5

Frame Layouts and Body Mounting

 **WARNING:** If the frame rail flanges are modified or damaged, the rail could fail prematurely and cause an accident. When mounting a body to the chassis, DO NOT drill holes in the upper or lower flange of the frame rail. Mount the body using body mounting brackets or U-bolts.

Body Mounting Using Brackets

 **CAUTION:** Always install a spacer between the body subframe and the top flange of the frame rail. Failure to do so could result in corrosion due to dissimilar materials.

Installation of a spacer between the body subframe and the top flange of the frame rail will help prevent premature wear of the components due to chafing or corrosion.

Frame Sill

If the body is mounted to the frame with brackets, we recommend that the frame sill spacer be made from a strip of rubber or plastic (delrin or nylon). These materials will not undergo large dimensional changes during periods of high or low humidity. The strip will be less likely to fall out during extreme relative motion between body and chassis. See Figure 5-4.

Section 5 Frame Layouts and Body Mounting

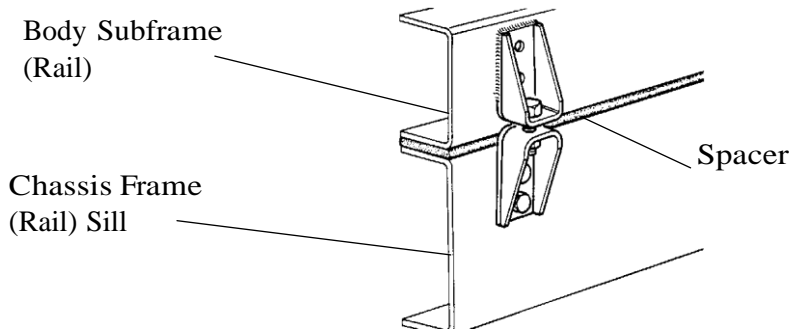


FIGURE 5-4. Spacer Between Frame Sill and Body Rail - Rubber or Plastic

Brackets

When mounting a body to the chassis with brackets, we recommend designs that offer limited amount of relative movement, bolted securely but not too rigid. Brackets should allow for slight movement between the body and the chassis. For instance, Figure 5-5 shows a high compression spring between the bolt and the bracket.

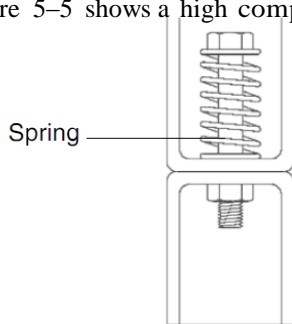


FIGURE 5-5. High Compression Spring Between the Mounting Bolt and Upper Bracket

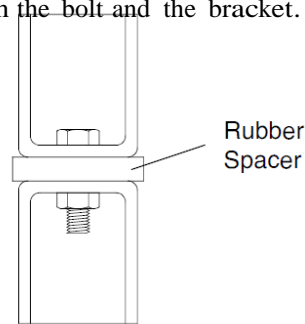


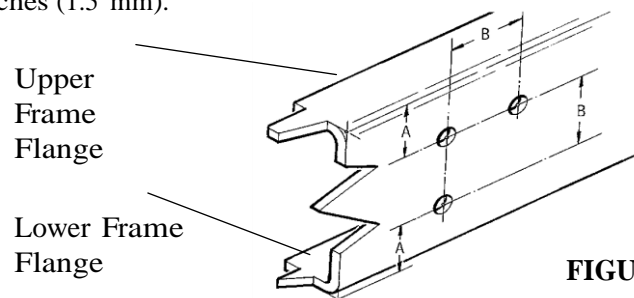
FIGURE 5-6. Rubber Spacer Between Brackets

Another possibility is mounting a rubber spacer between the brackets. See Figure 5-6.

These designs will allow relative movement between the body and the chassis during extreme frame racking situations. Extreme frame racking, and mountings that are too rigid, could cause damage to the body. This is particularly true with tanker installations.

Mounting Holes

When installing the lower bracket on frame rails the mounting holes in the chassis frame bracket and frame rail must comply with the general spacing and location guidelines illustrated in Figure 5-7. The hole diameter should not exceed the bolt diameter by more than .060 inches (1.5 mm).



A or B Equal to or Greater Than 2 Inches (50 mm)

FIGURE 5-7. Hole Locations Guidelines for Frame Rail and Bracket

A

Section 5

Frame Layouts and Body Mounting

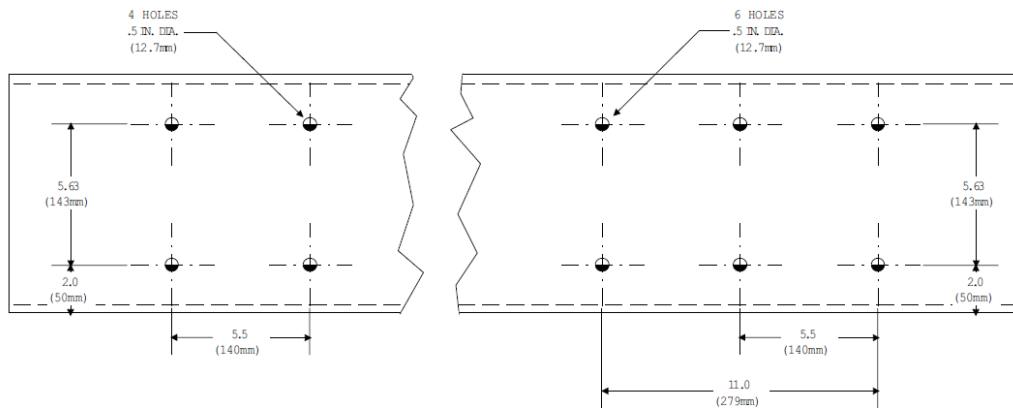


FIGURE 5-8. Crossmember-Gusset Hole Pattern Requirements. [inch(mm)]

Frame Drilling



WARNING: When mounting a body to the chassis, **DO NOT** drill holes in the upper or lower flange of the frame rail. If the frame rail flanges are modified or damaged, the rail could fail prematurely and cause an accident. Mount the body using body mounting brackets or U-bolts.



WARNING: Use care when drilling the frame web so the wires and air lines routed inside the rail are not damaged. Failure to do so could cause an inoperable electrical or air system circuit.



WARNING: Do not drill new holes any closer than 2 inches (50 mm) to existing holes. Frame drilling affects the strength of the rails.

Hole Location Guidelines

Holes must be located from the flange as indicated in Figure 5-7. They must be no closer than 2 inches (50 mm) to each other.



Note: If your design permits placement of body mounting brackets at crossmember locations, you can use the crossmember gusset bolt holes for body mounting. See Figure 5-8

BODY MOUNTING USING U-BOLTS

Spacers

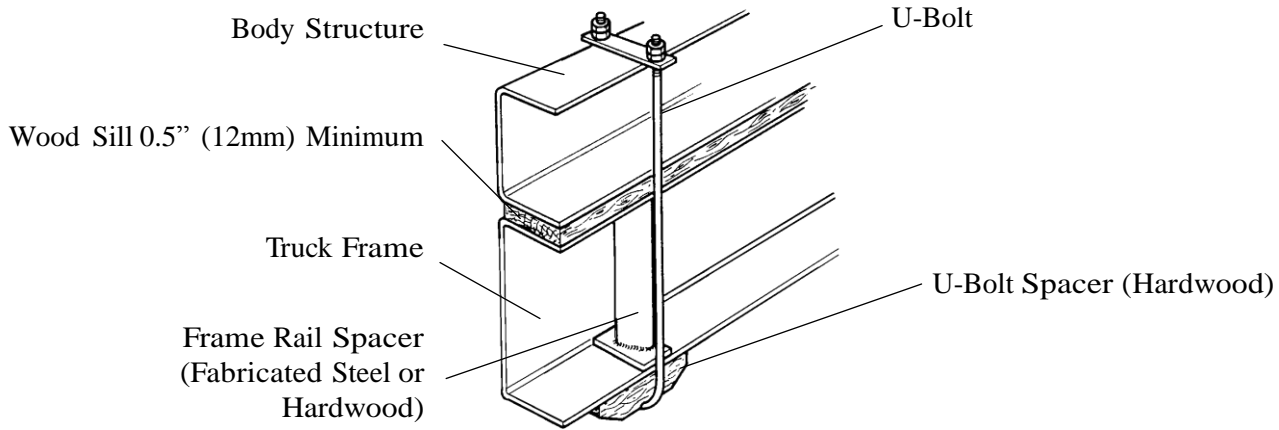
If the body is mounted to the frame with U-bolts, use a hardwood sill [minimum 1/2 inch (12 mm) thick] between the frame rail and body frame to protect the top surface of the rail flange.

Section 5

Frame Layouts and Body Mounting

WARNING! Do not allow the frame rails or flanges to deform when tightening the U-bolts. It will weaken the frame and could cause an accident. Use suitable spacers made of steel or hardwood on the inside of the frame rail to prevent collapse of the frame flanges.

Use a hardwood spacer between the bottom flange and the U-bolt to prevent the U-bolt from notching the frame flange. See Figure 5-9.



01018

FIGURE 5-9. **Acceptable U-Bolt Mounting with Wood and Fabricated Spacers**

WARNING! Do not allow spacers and other body mounting parts to interfere with brake lines, fuel lines, or wiring harnesses routed inside the frame rail. Crimped or damaged brake lines, fuel lines, or wiring could result in loss of braking, fuel leaks, electrical overload or a fire. Carefully inspect the installation to ensure adequate clearances for air brake lines, fuel lines, and wiring. See Figure 5-10.

CAUTION: Mount U-bolts so they do not chafe on frame rail. Failure to do so could result in premature wear of the U-bolt or frame rail.

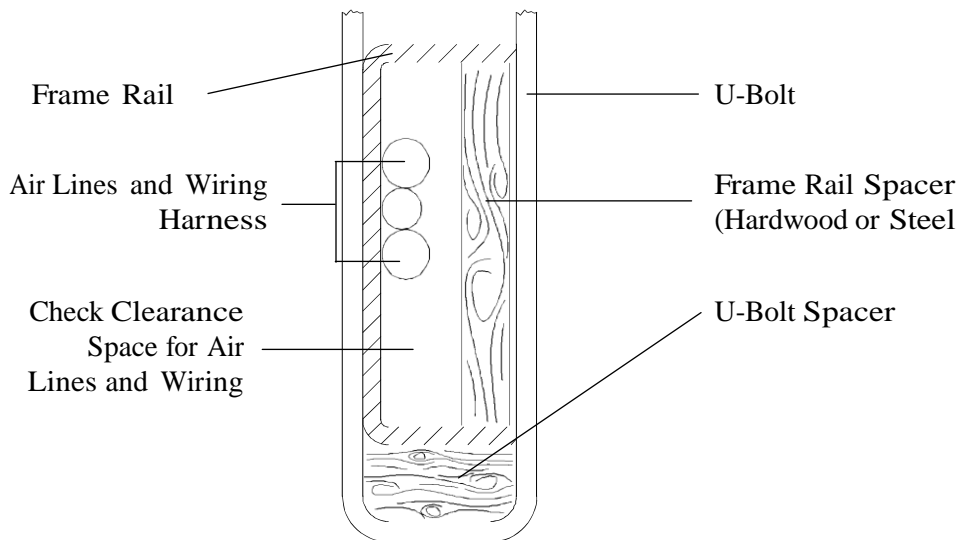


FIGURE 5-10. **Clearance Space for Air Lines and Cables**

Section 5 Frame Layouts and Body Mounting



WARNING! Do not notch frame rail flanges to force a U-bolt fit. Notched or damaged frame flanges could result in premature frame failure. Use a larger size U-bolt. Use a hardwood spacer as shown in Figure 5-9.



REAR BODY MOUNT

When U-bolts are used to mount a body we recommend that the last body attachment be made with a “fishplate” bracket. See Figure 5-11. This provides a firm attaching point and helps prevent any relative fore or aft movement between the body and frame.

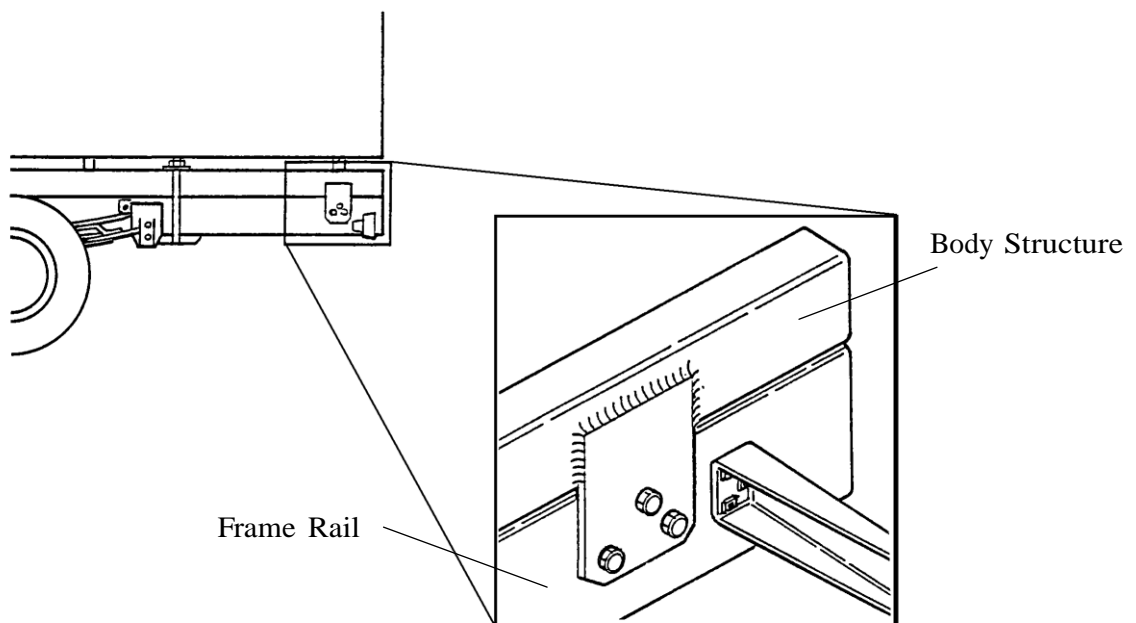


FIGURE 5-11 Example of Fishplate Bracket at Rear End of Body, used with U-Bolts

Section 6

Frame Modifications

FRAME MODIFICATIONS

Introduction

The K270/K370 offers customer specified wheelbases. So, in most cases frame modifications to produce a certain wheelbase should not be necessary.

However, some installations may require slight modifications, while other installations will require extensive modifications. Sometimes an existing dealer stock chassis may need to have the wheelbase changed to better fit a customer's application. The modifications may be as simple as shortening or lengthening the frame cutoff, or they may be as complex as changing the wheelbase.

DRILLING RAILS

Location and Hole Pattern

If holes need to be drilled to attach anything to the rail, see SECTION 5 "BODY MOUNTING" for more information. Follow the general spacing and hole location guidelines. See Figure 5-7.



WARNING!

When mounting a body to the chassis, DO NOT drill holes in the upper or lower flange of the frame rail. If the frame rail flanges are modified or damaged, the rail could fail prematurely and cause an accident. Mount the body using body mounting brackets or U-bolts



WARNING!

Do not drill new holes any closer than 2 inches (50 mm) to existing holes. Frame drilling affects the strength of the rails.



CAUTION:

An appropriately sized bolt and nut must be installed and torqued properly in all unused frame holes. Failure to do so could result in frame crack initiation around the hole.



WARNING!:

Use care when drilling the frame web so the wires and air lines routed inside the rail are not damaged. Failure to do so could cause an inoperable electrical or air system circuit.



CAUTION:

Never use a torch to make holes in the rail. Use the appropriate diameter drill bit. Heat from a torch will affect the material properties of the frame rail and could result in frame rail cracks.



CAUTION:

Hole diameter should not exceed the bolt diameter by more than .060 inches (1.5 mm). Oversized holes could result in excessive frame wear around the hole.

Never use a torch to make a hole in the rail. Use the appropriate diameter drill bit.

Hole pattern dimensions for crossmember designs see Figure 5-8

Hole diameter should not exceed the bolt diameter by more than .060 inches (1.5 mm).

MODIFYING FRAME LENGTH

The frame cutoff after the rear axle can be shortened to match a particular body length. Using a torch is acceptable; however, heat from a torch will affect the material characteristics of the frame rail. The affected material will normally be confined to within 1 to 2 inches (25 to 50 mm) of the flame cut and may not adversely affect the strength of the chassis or body installation.

The frame cutoff can be lengthened by adding frame extenders.



WARNING! Do not drill new holes any closer than 2 inches (50 mm) to existing holes. Frame drilling affects the strength of the rails.

Frame Insert

A frame insert must be added after welding a frame rail extension to compensate for lost strength. The insert should be of the same material as the frame member, or of steel, and at least equal to the frame rail in thickness. Attachment of the insert to the frame should be made with Ream-Fit heat-treated bolts, 5/8 in. (16 mm) dia. or the next larger size. Both the reinforcement and frame holes should be reamed to provide a fit of from .001 in. to .003 in. (.025 to .076 mm) clearance. Do not weld reinforcing members. The insert should span a distance of at least 24 in. (610 mm) on either side of the crack to insure an even distribution of stresses. Cut the ends of the insert at 45° as shown in Figure 6-2 unless the insert extends to the end of the frame.

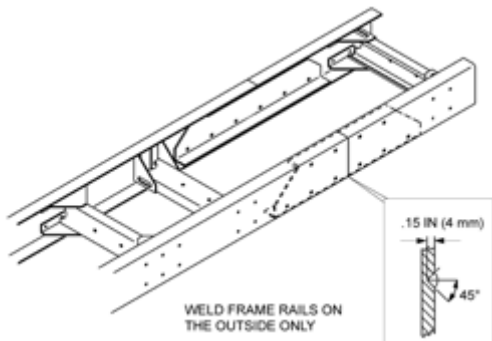


FIGURE 6-1. Detail of Frame Extension and Joint Welding

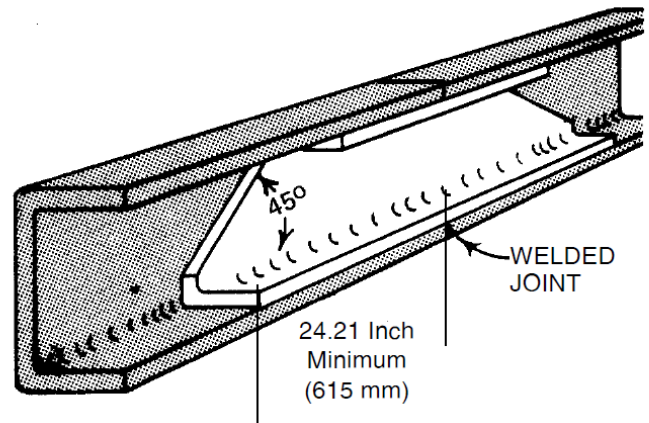
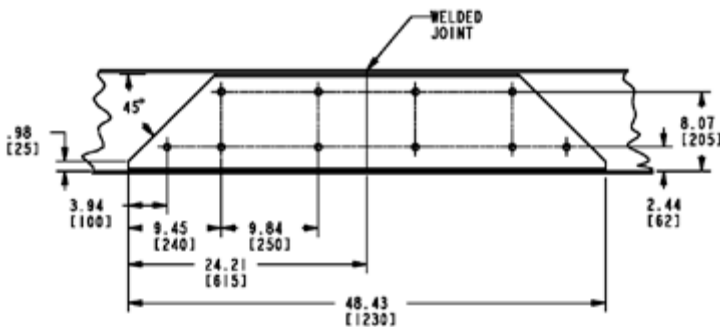
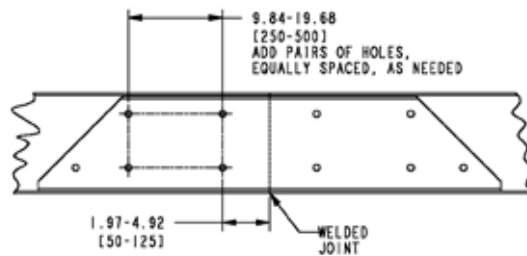


FIGURE 6-2. Frame Insert



INSERT DETAIL, MINIMUM LENGTH



INSERT DETAIL, VARIABLE LENGTH

Section 6


Frame Modifications


Where possible, use existing bolt holes to attach the insert to the frame. Bolt holes must not be located closer to the frame flanges than the present bolt pattern.

If the insert is placed in a section of the main frame where few bolts are located, additional bolts are required. Use the following guideline for locating additional bolt holes.


Changing Wheelbase

We do not recommend modifying the wheelbase. Occasionally, however, a chassis wheelbase will need to be reduced or lengthened. When this needs to be done there are a few guidelines that should be considered.


 **WARNING!** When changing the wheelbase, be sure to follow the driveline manufacturer's recommendations for driveline length or angle changes. Incorrectly modified drivelines can fail prematurely due to excessive vibration. This can cause an accident.

 **WARNING!** When changing the wheelbase, a continuous blank frame insert/outsert must be added in the area of the new rear suspension mounting bolts. All new mounting holes must pass through the original rail and the insert/outsert. Failure to do so could cause excessive stress in the original rail due to additional holes.

Before changing the wheelbase the driveline angles of the proposed wheelbase need to be examined to ensure that no harmful vibrations are created. Consult the driveline manufacturer for appropriate recommendations.

 **WARNING!** Do not drill new holes any closer than 2 inches (50 mm) to existing holes. Frame drilling affects the strength of the rails.

Before the rear suspension is relocated, check the new location of the spring hanger brackets. The new holes for the spring hanger brackets must not overlap existing holes and should not come any closer than 2 inches (50 mm) to existing holes in the frame.

 **WARNING!** When relocating a suspension bracket, do not mount it on the extended (added) section of a frame rail. The suspension loading could result in premature failure of the added section splice. This could cause an accident. Use care when planning the wheelbase so that the rear suspension bracket is always mounted on the original rail section. See Figure 6-3.

If you are extending the wheelbase, you may also have to extend the frame length to accommodate a body. When you reposition the rear suspension spring hangers, do not mount them on the added extended portion of the rail. The relocated rear suspension bracket should be located on the original frame rails. See Figure 6-3.

When reducing the wheelbase, we recommend that the suspension be moved forward and relocated on the original rail. The rail behind the suspension can then be cut to achieve the desired frame cutoff. See Figure 6-3.

! WARNING! Do not drill new holes any closer than 2 inches (50 mm) to existing holes. Frame drilling affects the strength of the rails.

Before the rear suspension is relocated, check the new location of the spring hanger brackets. The new holes for the spring hanger brackets must not overlap existing holes and should not come any closer than 2 inches (50 mm) to existing holes.

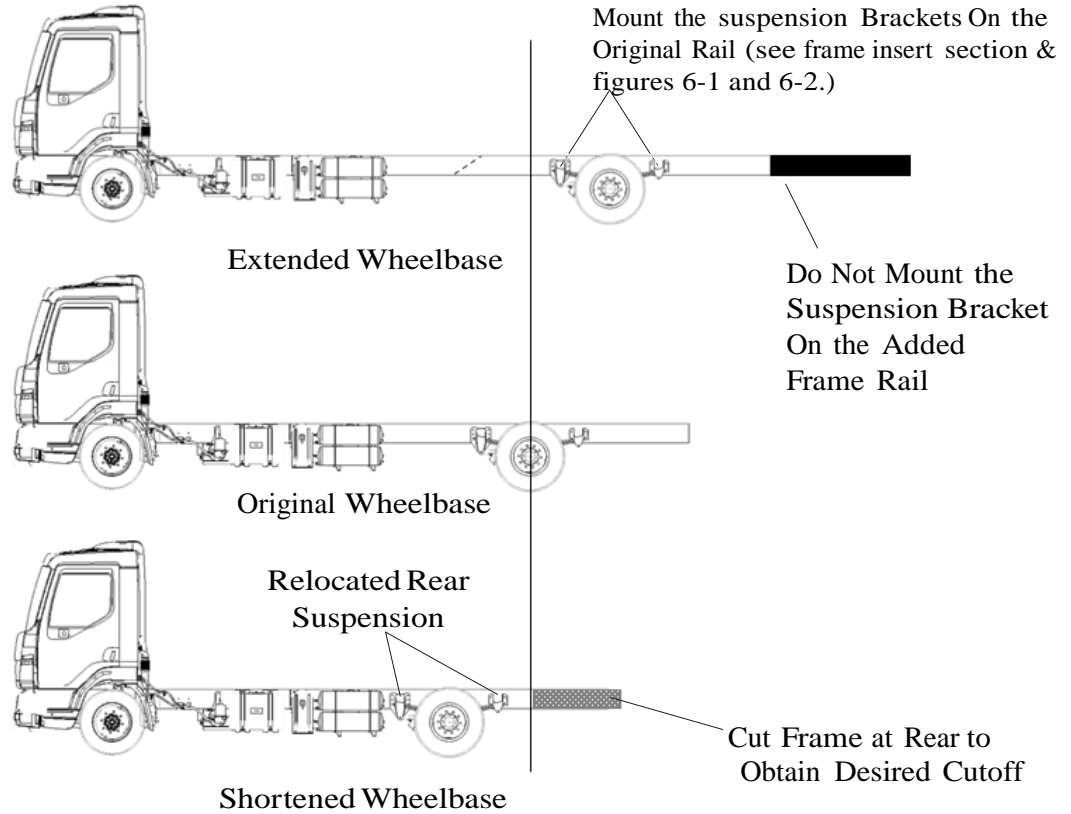


FIGURE 6-3 Comparison of Original, Shortened, and Extended Wheelbases.

Crossmembers

After changing a wheelbase, an additional crossmember may be required to maintain the original frame strength. The maximum allowable distance between adjacent crossmembers is 60 inches (1524 mm). If the distance between adjacent crossmembers exceeds this dimension, add a crossmember between them. See Figure 6-4.

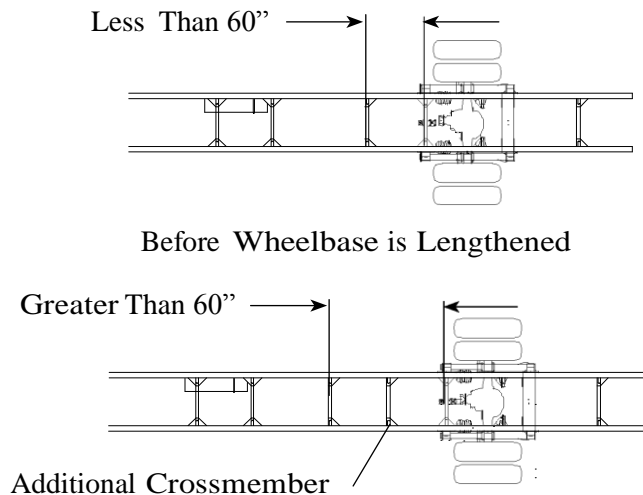


FIGURE 6-4. Crossmember Added When Distance Exceeds 60 Inches (1524 mm)

Section 6

Frame Modifications

WELDING

CAUTION: The 10.25 (10-1/4) inch rail and the 9.88 (9-7/8) rail are heat treated; therefore are not weldable. Welding can affect frame rail strength leading to a failure resulting in serious injury and /or an accident. Rail failures resulting from such modifications are not warrantable.



Check for heat treat caution labels on the rail (See Figure 6-5)

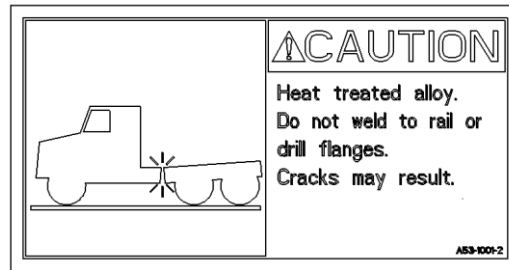


FIGURE 6-5. Heat Treated Frame Rail Warning Label

ELECTRICAL Introduction

Electrical wiring can sometimes be very frustrating. This is especially true when adding circuits to an existing setup. Through the use of an optional body harness and additional spare circuits, we have tried to reduce the complexity associated with adding common circuits to a body installation.



Note: The most common circuits that body builders may need are pre-connected to this optional wiring harness.

The new body related circuits can be added by connecting the added circuit wires to the appropriate wires in this harness.

ELECTRICAL CIRCUITS Capacity

WARNING! Do not install an electrical circuit that requires more amperage (electrical capacity) than what is available in the specific chassis circuit. An overloaded circuit could cause a fire. Compare the amperage requirements of the new circuit to the electrical current capacity of the existing chassis circuit before adding the body or other equipment.



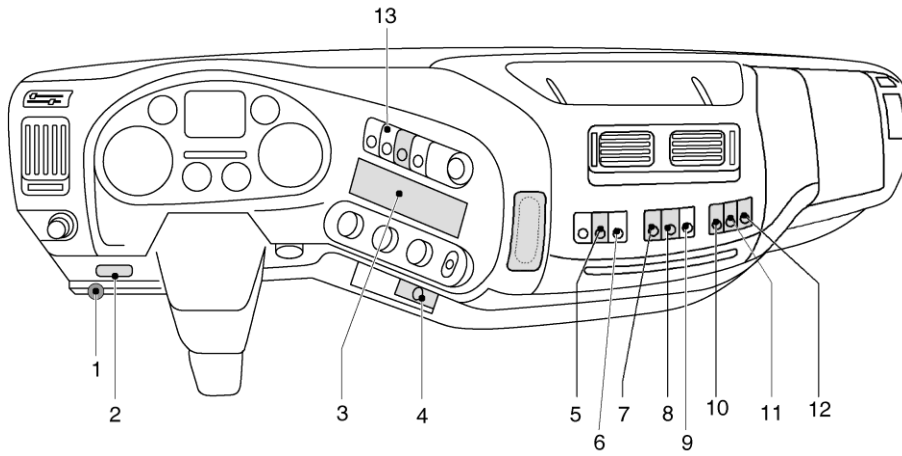
When adding an electrical circuit, you must know the current capacity (amperes) of each circuit.

The capacity of the existing system in the chassis must be enough to power the additional circuit. The new circuit will require a certain amount of power to operate; so, the existing (battery or alternator) power source must have the capacity to provide additional power or the new circuit will not function properly.

Check the current (ampere) demand of the circuit to be added. Compare it to the current capacity of the circuit you are connecting into. The current carrying capacity of the wires, controls, switches, and circuit breakers that provide current to the circuit must be equal to or greater than the demand of the added circuit otherwise these components may not work properly. See Table 7-1.1 and for relevant circuit information.

Section 7 Electrical

Dashboard Identification.



- | | | | |
|---|----------------------------------|----|--------------|
| 1 | ISO diagnostic plug (powertrain) | 8 | Spare switch |
| 2 | OBD diagnostic plug (cab) | 9 | Spare switch |
| 3 | Radio recess | 10 | Spare switch |
| 4 | Accessory plug 12V/10A | 11 | PTO |
| 5 | Spare switch | 12 | Spare switch |
| 6 | Spare switch | 13 | Spare switch |
| 7 | Spare switch | | |

i **Note:** For switches 5 – 12, use switch part number 1435592. For switch 13, use switch part number 1425594. Both switch part numbers are a 2-position switch.

FIGURE 7-1. Instrument Layout

Data Bus Communication

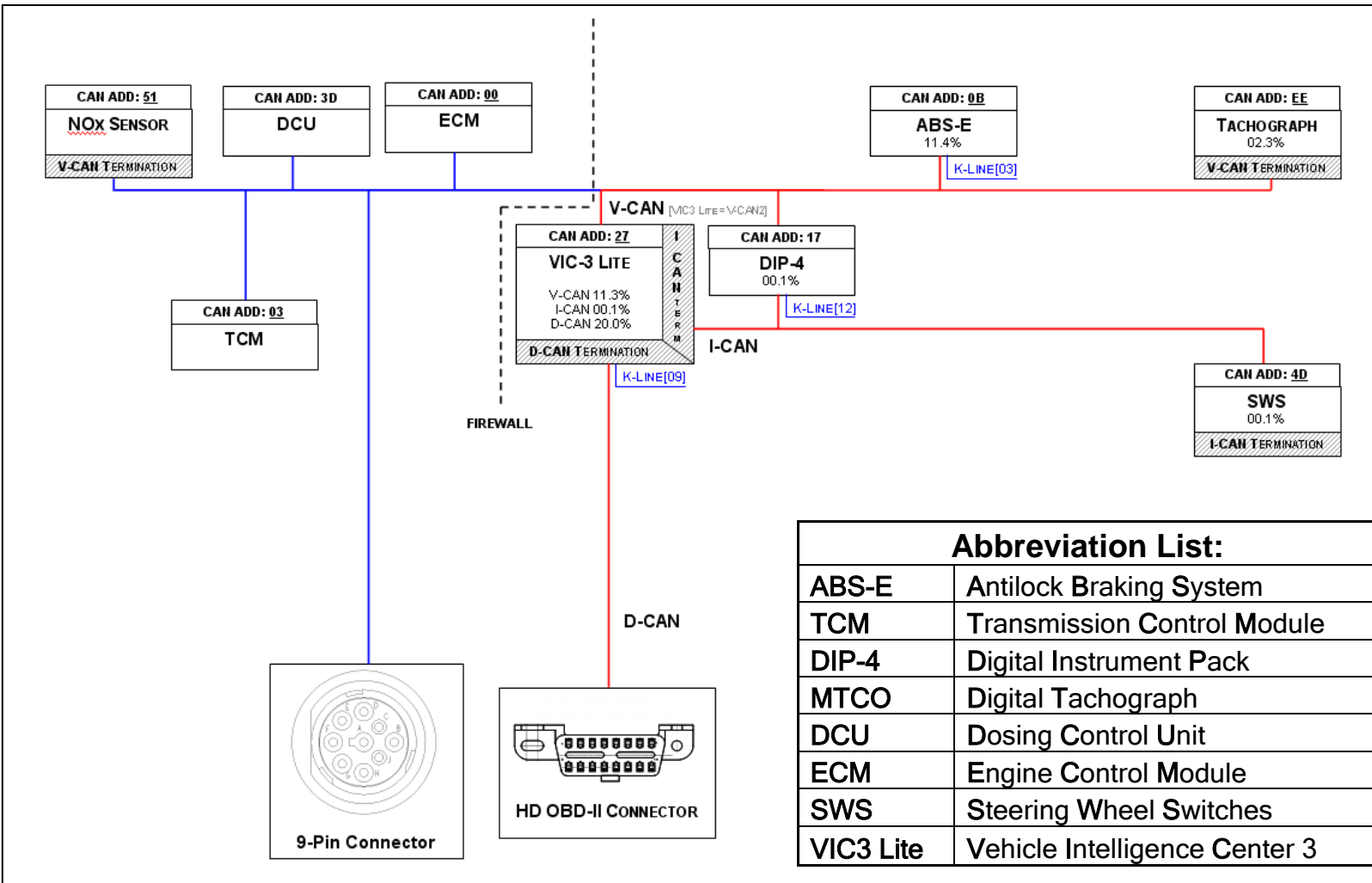


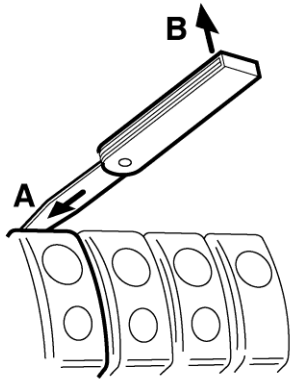
FIGURE 7-2. Data Bus Communication Architecture

REMOVAL AND INSTALLATION

Removal and Installation, Switches

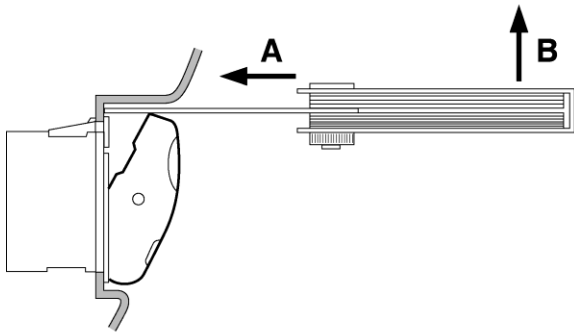
Removing switches

1. Insert a feeler gauge of approx. 1 mm (0.04 in) thickness between the switch and the panel at the side of the finger-sized depression (A), until it touches the inside of the panel.



K1 01 186

2. Remove the switch from its locked position by carefully moving the feeler gauge in the direction of the arrow (B).



K1 00 389

3. Carefully remove the switch from the panel. In doing so, ensure that the connector lock does not catch behind the panel, causing the connector to fall behind the panel.
If necessary, remove the switch from the connector.

Installing switches

1. Connect the connector.
2. Insert the switch into the opening in the panel and press until you can feel it lock.

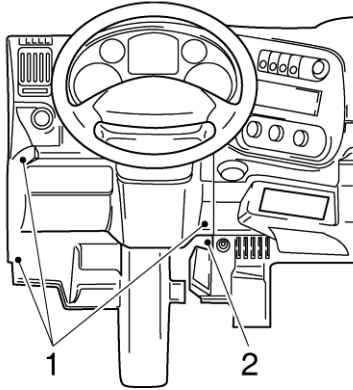
Removal and Installation, Dashboard Panels

Note: Removal and installation of the dashboard panels is indicated in the proper sequence. In order to remove each subsequent panel, the panels described in the preceding text must have been removed.

Removing steering column dashboard panel

1. If necessary, remove the floor mat.
2. Using the steering column setting, move the steering wheel to its highest possible position.

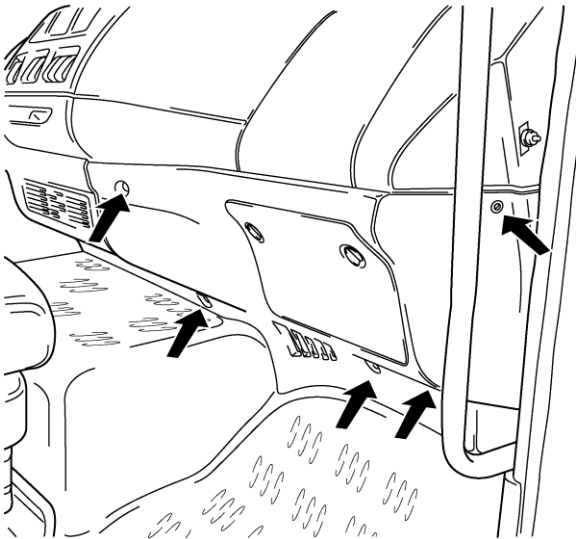
3. Remove the attachment bolts (1) and the panel plug (2) and remove the steering column dashboard panel.



K1 01 427

Removing lower dashboard panel, co-driver's side

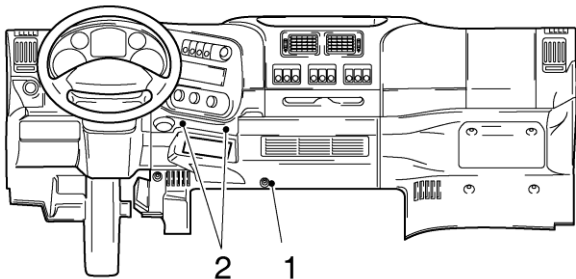
1. Remove the attachment bolts from the lower dashboard panel on the co-driver's side. Remove the lower dashboard panel on the co-driver's side.



K1 01 428

Removing engine tunnel dashboard panel

1. Remove the attachment bolts (1) and panel plugs (2). Remove the engine tunnel cover panel.
2. Disconnect the 12-V power supply connector at the rear.

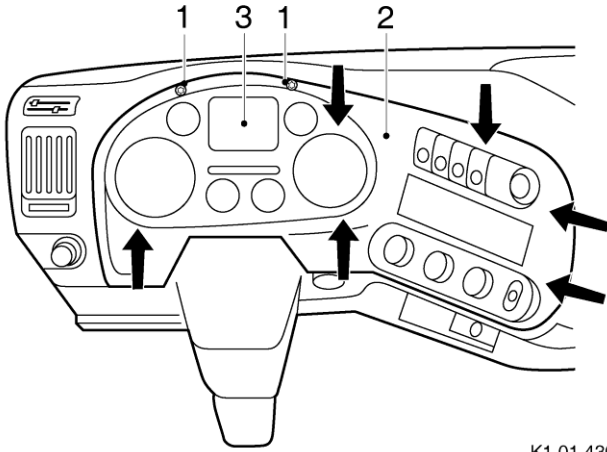


K1 01 429

Section 7 Electrical

Removing instrument panel

1. Remove the attachment bolts (1) from the decorative strip (2) around the instrument panel (3).

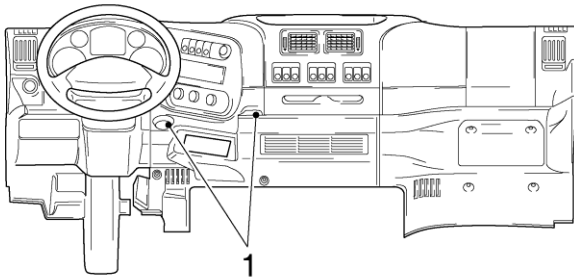


K1 01 430

2. Pull the fixing clamps (see arrows) which attach the decorative strip (2) to the dashboard panel carefully out of the dashboard panel.
3. Remove the attachment bolts from the instrument panel (3).
4. Remove the instrument panel (3).
5. Remove the connector from the instrument panel (3).

Removing lower dashboard panel, driver's side

1. Remove the attachment bolts (1). Remove the dashboard panel.

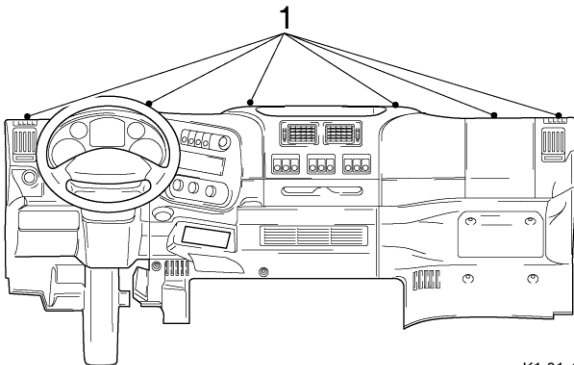


K1 01 431

2. Disconnect the headlamp height adjustment unit connector at the rear.
3. Remove the attachment bolts from the connector block at the rear of the dashboard panel.
4. Remove the connector block.

Removing surrounding frame cover panel

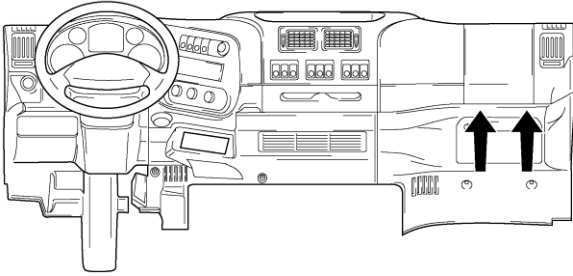
1. Remove the attachment bolts (1) in the surrounding frame.
2. Take the cover panel out of the surrounding frame.



K1 01 432

Removing upper cover

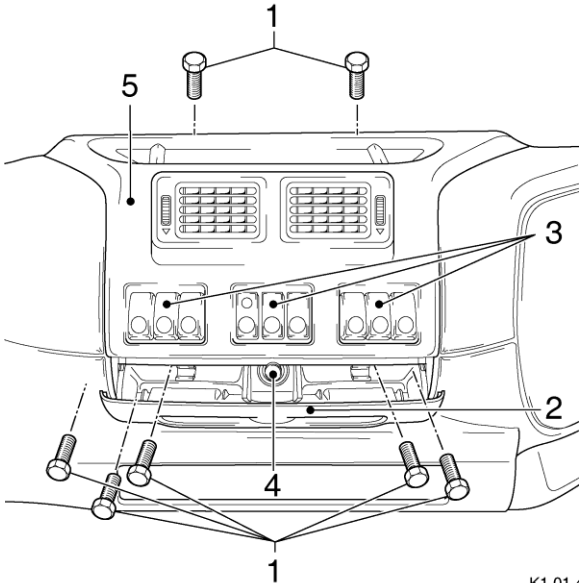
1. Remove the attachment bolts from the underside of the cover.
2. Tilt the cover upwards out of the upper cover panel.



K1 01 433

Removing central console control panel

1. Remove the switches (3) from the central console control panel (5).
2. Remove the ashtray (2) from the central console control panel (5).

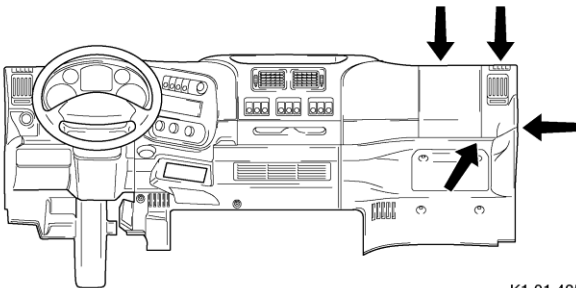


K1 01 434

3. Remove the attachment bolts (1) from the central console control panel (5).
4. Remove the central console control panel (5).
5. Disconnect the cigarette lighter (4) connector.

Removing dashboard panel on right-hand side

1. Remove the attachment bolts from the dashboard panel.
2. Remove the connector of the stepwell lighting door switch.



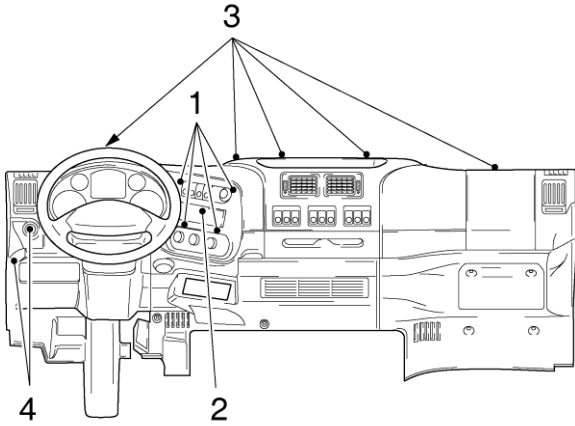
K1 01 435

Section 7

Electrical

Removing upper dashboard panel, driver's side

1. Remove the attachment bolts (1) from the radio panel (2).
2. Remove the attachment bolts (3) from the dashboard panel.
3. Cut the cable ties that attach the wiring harnesses to the dashboard panel.

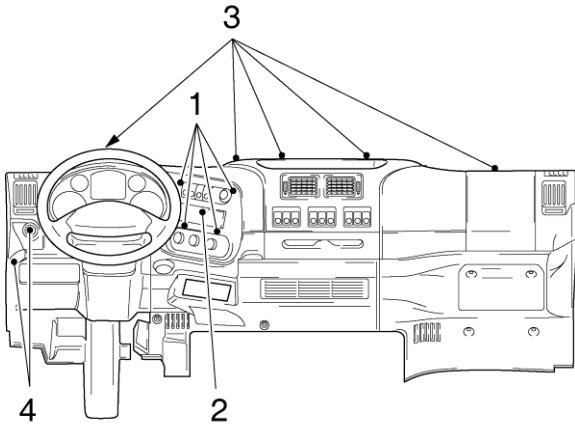


K1 01 436

4. Remove the dashboard panel. Unhook the radio panel (2) out of the dashboard panel.
5. Disconnect the connectors of the light switch (4) and the stepwell lighting door switch.

Installing upper dashboard panel, driver's side

1. Fit the connectors of the light switch (4) and the stepwell lighting door switch.
2. Fit the dashboard panel. Hook the radio panel (2) into the dashboard panel.

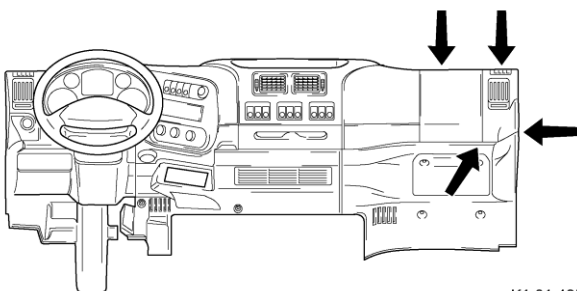


K1 01 436

3. Attach any removed cable harnesses to the dashboard panel using cable ties.
4. Fit the attachment bolts (3) for the dashboard panel.
5. Fit the attachment bolts (1) of the radio panel (2) into the dashboard panel.

Installing dashboard panel, right-hand side

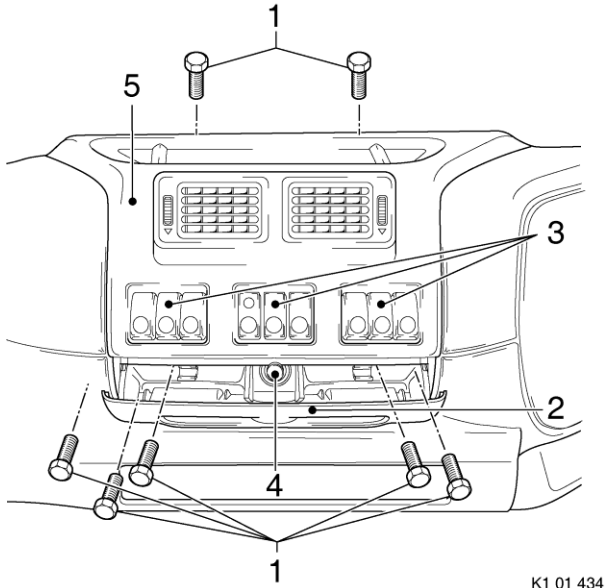
1. Fit the connector of the stepwell lighting door switch to the right-hand side dashboard panel.
2. Fit the right-hand side dashboard panel using the attachment bolts.



K1 01 435

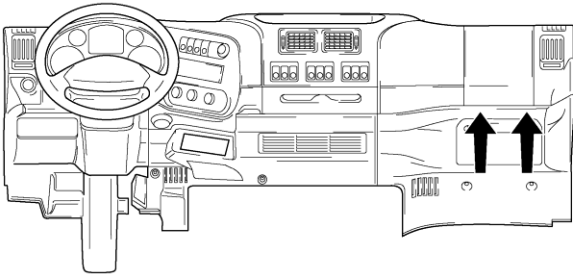
Installing central console control panel

1. Fit the cigarette lighter (4) connector to the rear of the central console control panel (5).
2. Fit the central console control panel (5) to the dashboard.
3. Connect the switches (3) of the central console control panel (5) to the connectors. Fit the switches (3) to the central console control panel (5).
4. Attach the central console control panel (5) using the attachment bolts (1).
5. Fit the ashtray (2) into the central console control panel (5).



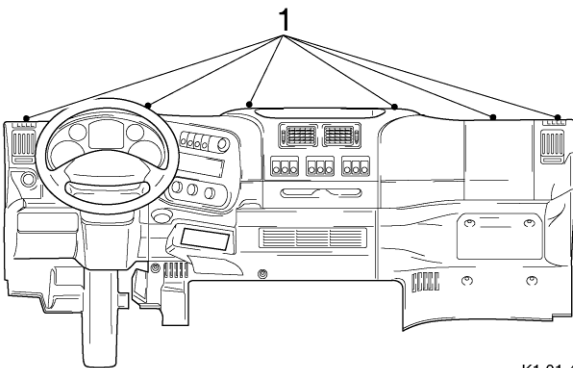
Installing upper cover

1. Hook the cover into the cover panel. Attach the cover to the cover panel using the attachment bolts.



Installing surrounding frame cover panel

1. Fit the cover panel into the surrounding frame using the attachment bolts (1).

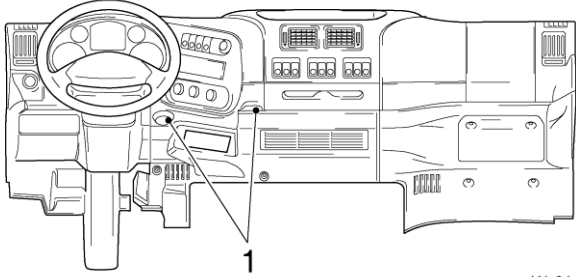


Section 7

Electrical

Installing lower dashboard panel, driver's side

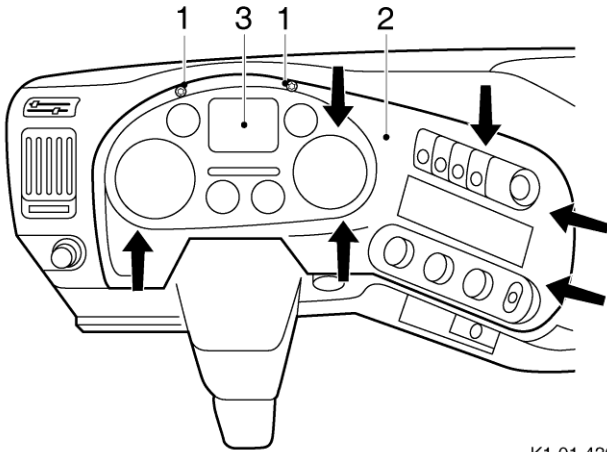
1. Fit the connector block to the rear of the dashboard panel using the attachment bolts.
2. Fit the connector of the headlamp height adjustment unit to the dashboard panel.
3. Fit the dashboard panel using the attachment bolts (1).



K1 01 431

Installing instrument panel

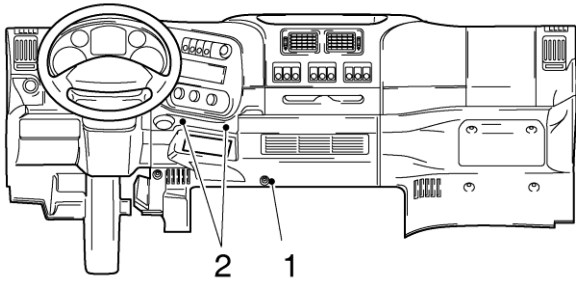
1. Fit the instrument panel (3) connector.
2. Fit the instrument panel (3) to the dashboard panel using the attachment bolts.
3. Push the decorative strip (2) back onto the dashboard panel using the fixing clamps. Fix the decorative strip (2) to the dashboard panel using the attachment bolts (1).



K1 01 430

Installing engine tunnel dashboard panel

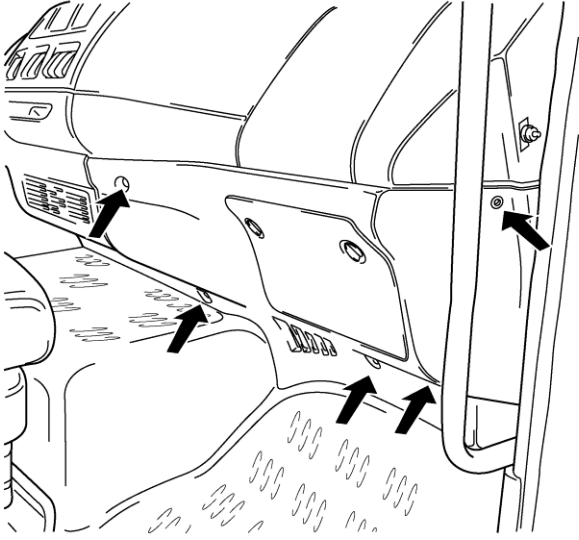
1. Fit the 12-V power supply connector to the rear of the engine tunnel dashboard panel.
2. Fit the dashboard panel to the engine tunnel using the attachment bolts (1) and the panel plug (2).



K1 01 429

Installing lower dashboard panel, co-driver's side

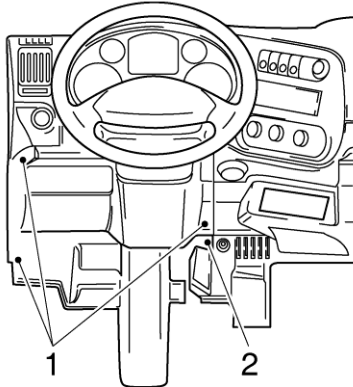
1. Fit the lower dashboard panel on the co-driver's side using the attachment bolts.



K1 01 428

Installing steering column dashboard panel

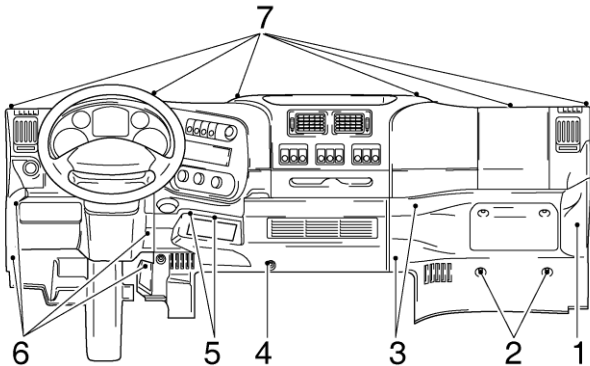
1. Fit the steering column dashboard panel using the attachment bolts (1) and the panel plug (2).



K1 01 427

REMOVAL AND INSTALLATION, COMPLETE DASHBOARD

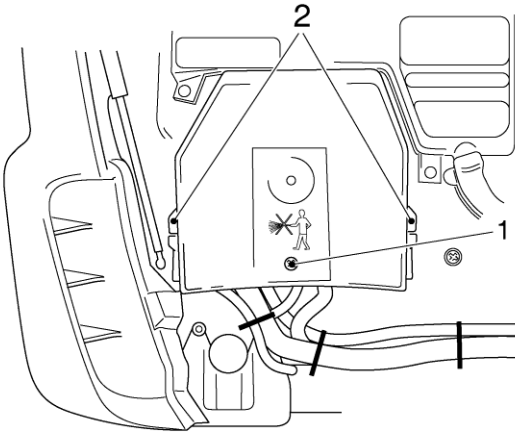
Removing dashboard



K1 01 437

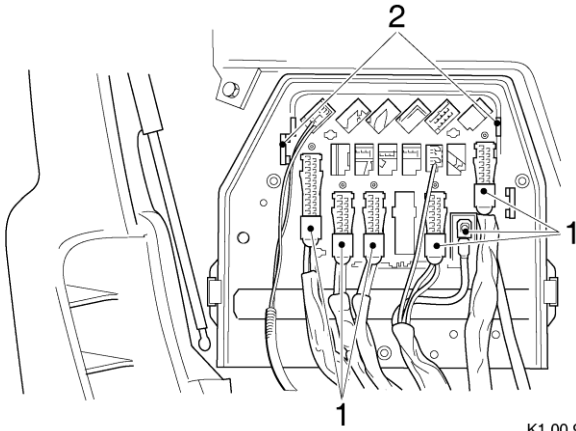
Section 7 Electrical

1. Disconnect the earth lead from the battery terminal.
2. Remove the attachment bolts and panel plug (6) and remove the steering column cover panel.
3. Remove the attachment bolts (1), (2) and (3) and remove the cover panel on the co-driver's side.
4. Remove the attachment bolts (4) and the panel plugs (5) and remove the engine tunnel cover panel. Remove the 12-V power supply connector.
5. Remove the attachment bolts (7) and remove the upper cover panel.
6. Open the grille.
7. Remove the attachment bolt (1).
8. Remove the protective cover by pressing the retainer (2) to one side.



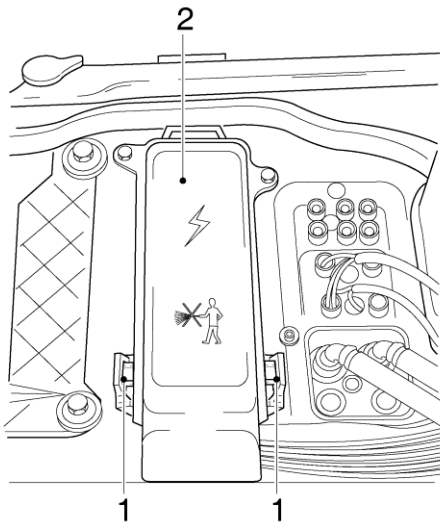
K1 00 988

9. Detach the connectors (1) from the connecting block.
10. Press the connecting block retainer (2) inside and push the whole connecting block inside.



K1 00 994

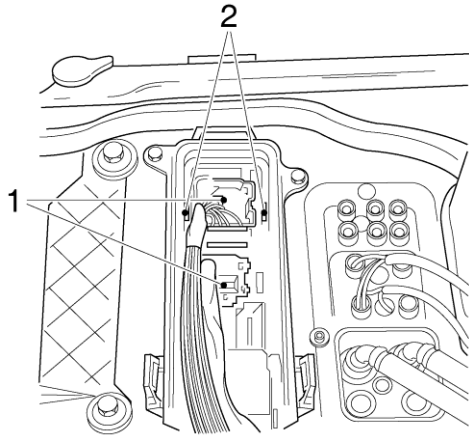
11. Remove the cover plate (2) by releasing the retainer (1).



K1 00 989

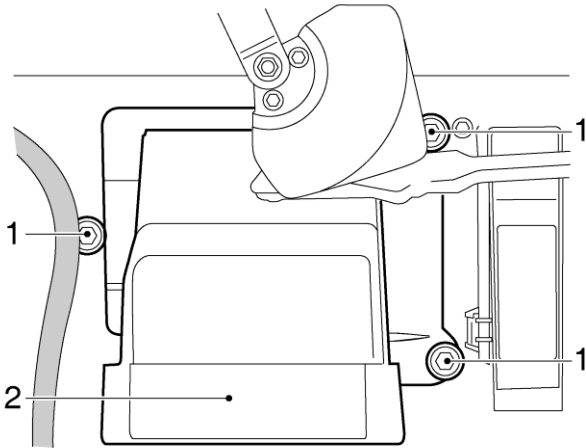
12. Remove the connectors (2).

13. Push the retainers (1) to one side and push the connector plate inside.



K1 00 990

14. Remove the attachment bolts (1) from the filter casing and remove the filter casing (2).

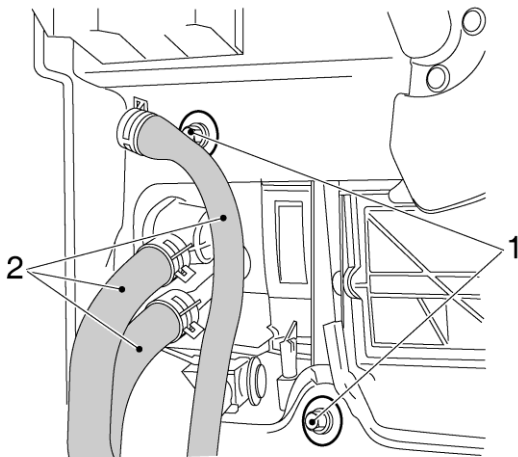


K1 01 194

15. Remove the attachment bolts (1).

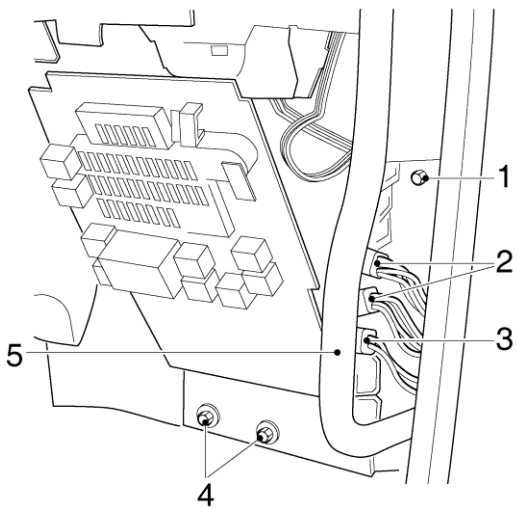
16. Remove the heater hoses (2) and seal the heater tubes.

Section 7 Electrical



K1 01 175

17. Remove the connectors to the left and right of the steering column.
18. Remove the connectors (2) and the earth connections (3).
19. Remove the attachment bolts on the underside of the dashboard, left and right.
20. Remove the attachment bolts (4) and (1).
21. Take the cover plate in the A-post out of the retainer, remove the handgrip's attachment bolt and remove the handgrip (5).

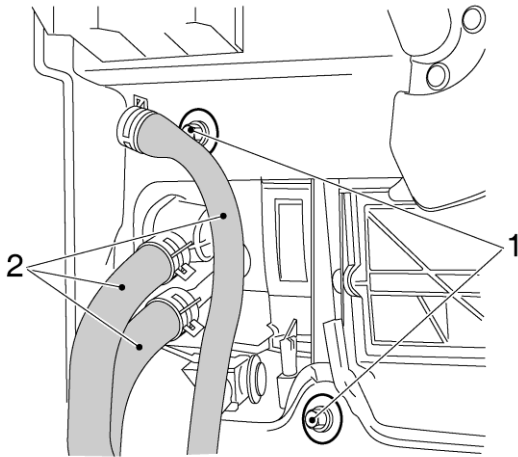


K1 00 986

22. Remove the floor mats. Remove the diagnostic and ECAS connectors by taking the wiring apart and then removing the attachment bolts. Detach the connectors from the bracket.
23. Remove the floor pan above the wiring.
24. Remove the wiring in front of the seat.
25. Remove the attachment bolts in the surrounding frame.
26. Remove the attachment bolts on the underside and remove the complete dashboard.

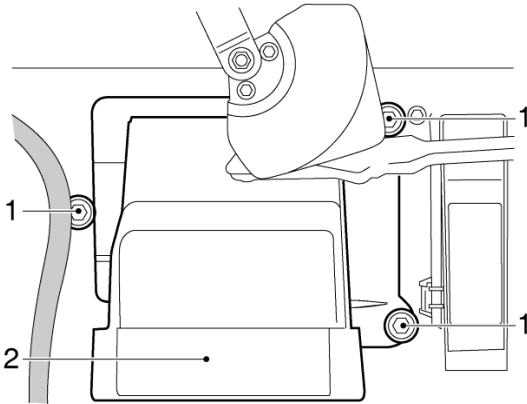
Installing dashboard

1. Fit the dashboard and secure it in the surrounding frame with a few attachment bolts.
2. Fit the seat wiring.
3. Replace the floor pan above the wiring.
4. Fit the ECAS and diagnostic connectors to the bracket.
5. Fit the handgrip and the cover panel in the A-post
6. Fit the connectors in the central box.
7. Remove the blocks from the coolant hoses and attach the hoses.
8. Fit the connectors to the left and right of the steering column.
9. Fit the attachment bolts (1).
10. Fit the heater hoses (2).



K1 01 175

11. Fit the filter casing (2). Secure the filter casing with the attachment bolts (1).

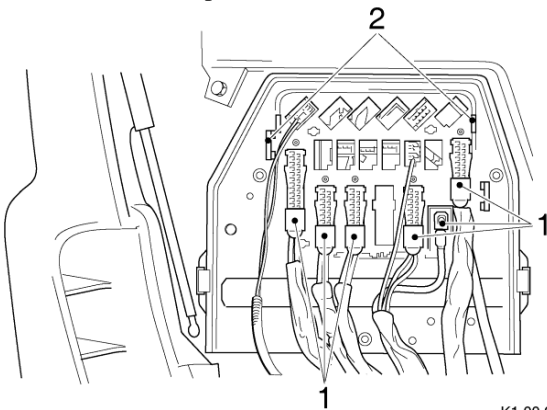


K1 01 194

12. Fit the plate for the connectors via the inside and press it into the retainers (2).

13. Fit the connectors (1).

14. Fit the cover plate.



K1 00 994

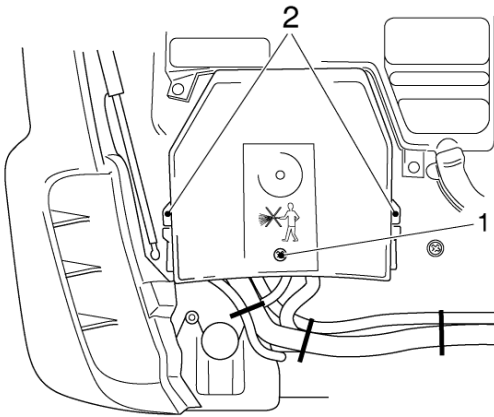
15. Fit the connecting block via the inside and press it firmly into the retainers (2).

16. Fit the connectors (1) to the connecting block. Pay attention to the markings on the components.

17. Fit the protective cover to the cab feed through and secure it with the attachment bolt (1).

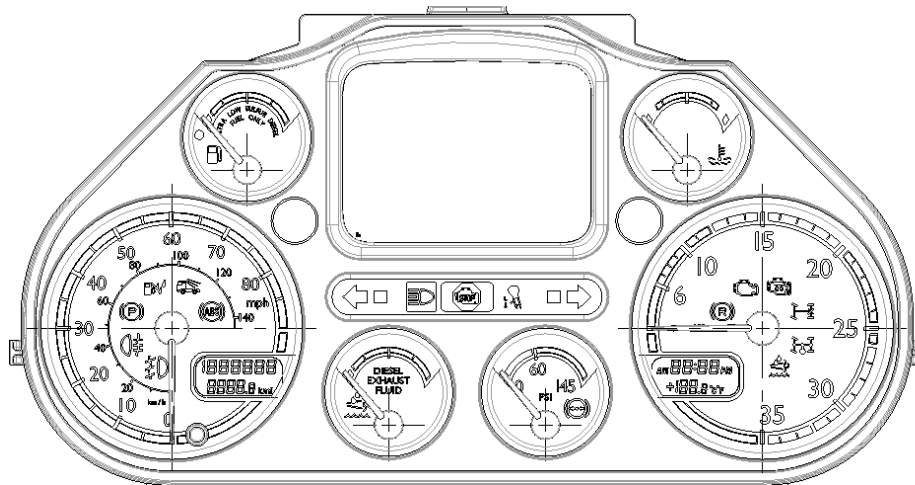
18. Close the grille.

Section 7 Electrical



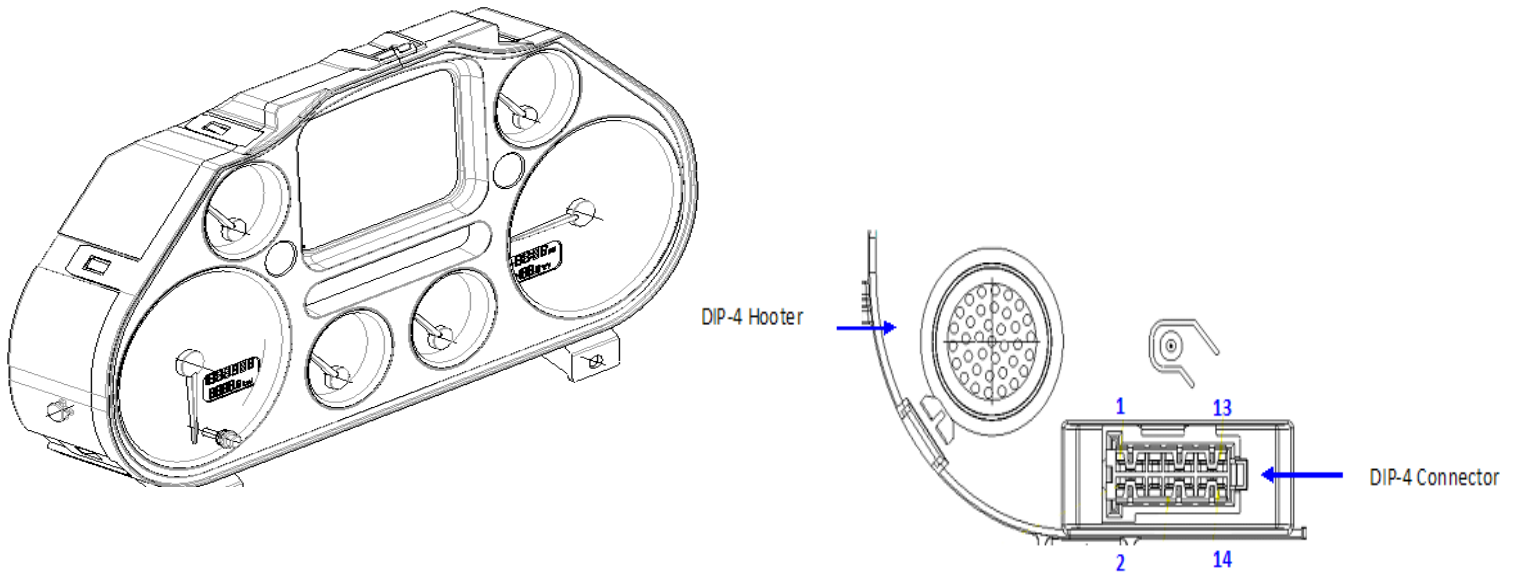
K1 00 988

19. Fit the attachment bolts under the dashboard to the left and right.
20. Secure the attachment bolts in the surrounding frame.
21. Fit the dashboard panels on the co-driver's side.
22. Fit the steering column dashboard panels.
23. Fit the 12-V connector to the engine tunnel dashboard panel.
24. Fit the cover panel to the engine tunnel.
25. Fit the earth lead to the battery terminal.



A Canadian option is available. The speedometer will have primary units in metric.
For models K270/K370, additional gages will need to be hard wired and remotely mounted.

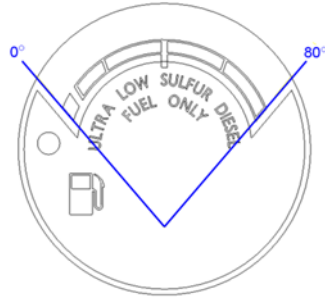
Section 7 Electrical



PIN	Signal	Description
1	Terminal 30	Power Supply
2	Terminal 31	Ground
3	K-Line	K-line Parameter
4	FLA-LOAD	Flash Loader Call
5	I-CAN-L	I-CAN-Low
6	I-CAN-L	I-CAN-Low
7	I-CAN-H	I-CAN-High
8	I-CAN-H	I-CAN-High
9	V-CAN-SHLD	Res. V-CAN-Shield
10	I-CAN-SHLD	Res. I-CAN-Shield
11	V-CAN-L	Vehicle CAN Low
12	V-CAN-L	Vehicle CAN Low
13	V-CAN-H	Vehicle CAN High
14	V-CAN-H	Vehicle CAN High

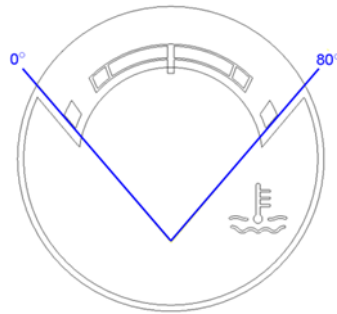
Section 7 Electrical

Fuel Level Gauge



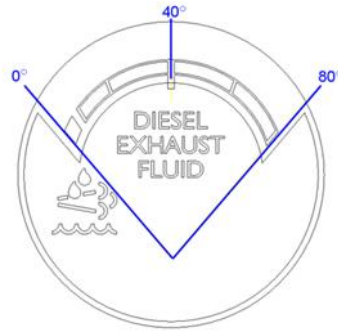
Fuel Gauge	
0	0°
¼	20°
½	40°
¾	60°
1	80°

Coolant Level Gauge



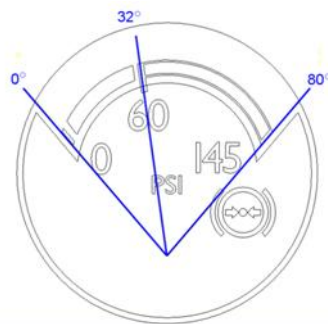
Coolant Gauge	
0	0°
¼	20°
½	40°
¾	60°
1	80°

Diesel Exhaust Fluid Gauge



DEF Gauge	
0	0°
¼	20°
½	40°
¾	60°
1	80°

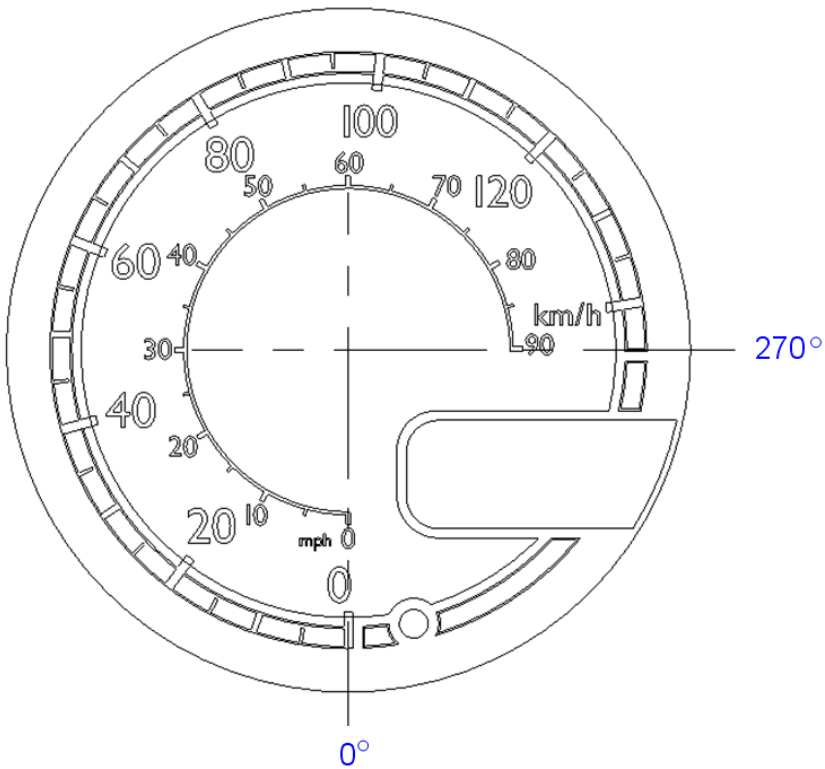
Air Pressure Gauge



Air Pressure Gauge	
0	0°
60	32°
145	80°

Section 7 Electrical

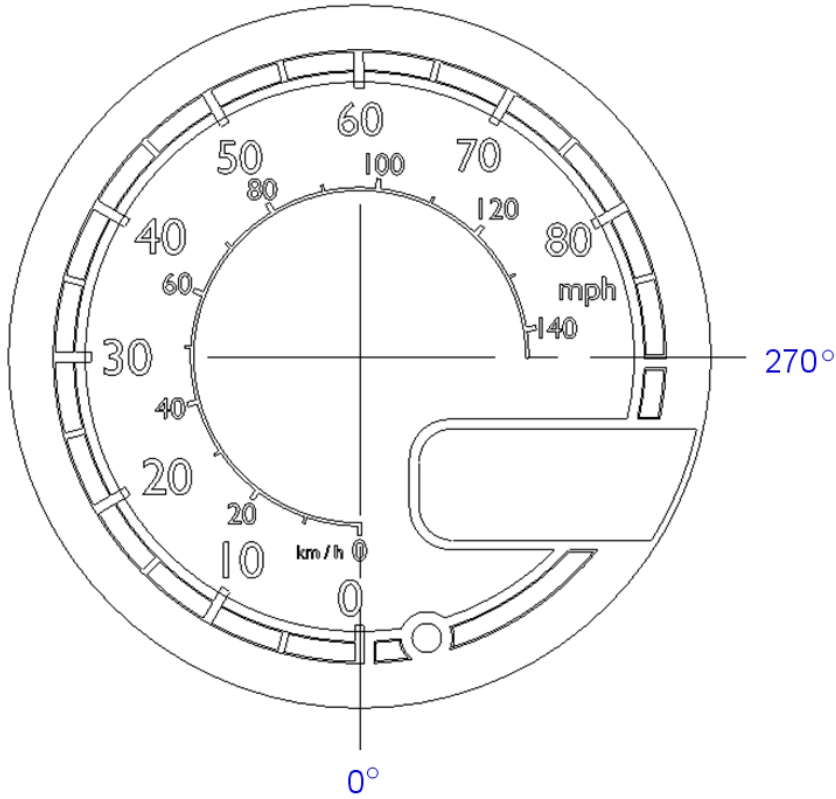
Speedometer, Canadian Option



Speed Gauge KM/h	
KM/h	Angle
0	0°
5	9°
10	19°
15	28°
20	37°
25	47°
30	56°
35	65°
40	75°
45	84°
50	93°
55	102°
60	112°
65	121°
70	130°
75	140°
80	149°
85	159°
90	168°
95	177°
100	186°
105	196°
110	205°
115	214°
120	223°
125	233°
130	242°
135	251°
140	261°
145	270°

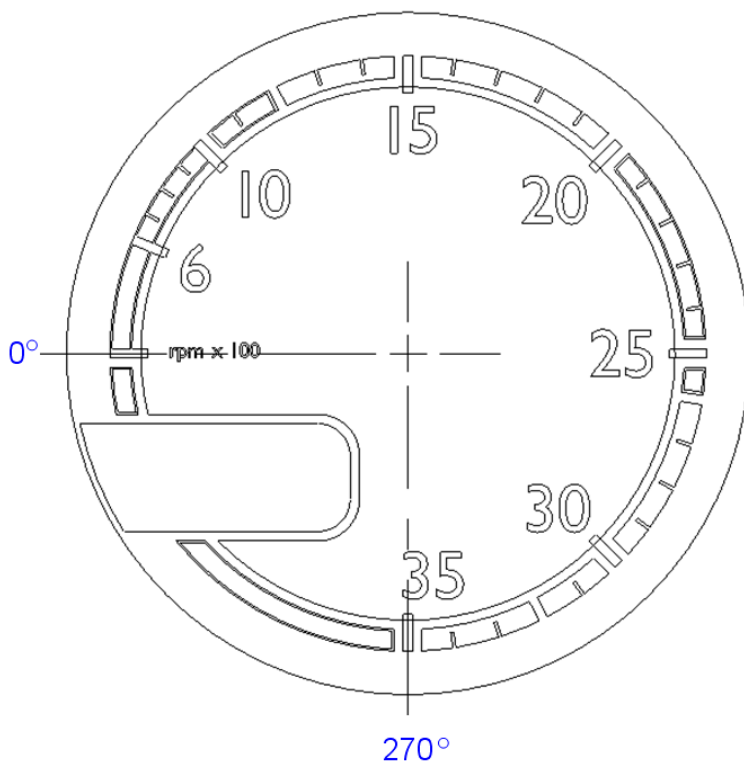
Section 7 Electrical

Speedometer, US option



Speed Gauge MPH	
MPH	Angle
0	0°
5	15°
10	30°
15	45°
20	60°
25	75°
30	90°
35	105°
40	120°
45	135°
50	150°
55	165°
60	180°
65	195°
70	210°
75	225°
80	240°
85	255°

Tachometer



Tachometer		
RPM X 100	Angle	Color
0	0	WHITE
--	--	WHITE
6	23°	WHITE
7	28°	BLACK
8	34°	BLACK
9	40°	BLACK
10	45°	BLACK
11	54°	BLACK
12	63°	GREEN
13	72°	GREEN
14	81°	GREEN
15	90°	GREEN
16	99°	GREEN
17	108°	GREEN
18	117°	GREEN
19	126°	GREEN
20	135°	GREEN
21	144°	BLACK
22	153°	BLACK
23	162°	BLACK
24	171°	BLACK
25	180°	BLACK
26	189°	BLACK
27	198°	BLUE
28	207°	BLUE
29	216°	BLUE
30	225°	BLUE
31	234°	BLUE
32	243°	BLUE
33	252°	RED
34	261°	RED
35	270°	RED

Power Distribution Center.



Orange			Grey		
Pin	Circuit	Description	Pin	Circuit	Description
C	WHIT1100-1	PDC Ground	A	YEL2110-0	DIP HL (12V+)
D	WHIT1100-2	PDC Ground	B	YEL_BLK2110-1	DIP HL (24V+)
F	RED3111-0	ECM Power (12V+)	C	YEL2006-0	LH Turn (12V+)
G	RED3111-1	ECM Power (12V+)	D	YEL_BLK2006-1	LH Turn (24V+)
B	RED1510-0	XMSN ECU (12V+)	E	YEL_BLK2007-1	RH Turn (24V+)
			F	YEL2007-0	RH Turn (12V+)
			G	YEL_BLK2120-0	Main HL (24V+)
			H	YEL2120-0	Main HL (12V+)
Black			Brown		
Pin	Circuit	Description	Pin	Circuit	Description
A	RED0710-0	Heat Fuel Filter (12V+)	A	YEL2150-0	Fog Lamp (12V+)
F	WHIT1100-3	PDC Ground	B	YEL_BLK2150-1	Fog Lamp Sw (24V+)
G	WHIT1100-4	PDC Ground	C	ORN1229-0	Chassis Ignition (12V+)
H	ORN3114-0	Converter Ignition	D	ORN_BLK1229-2	Ignition Signal (24V+)
			E	ORN1256-0	NOX up (12V+)
			F	ORN1256-1	NOX down (12V+)
			G	YEL_BLK2155-1	Body Lamp (24V+)
			H	YEL2155-0	Body Lamp (12V+)
Red			Green		
Pin	Circuit	Description	Pin	Circuit	Description
C	YEL2601-0	Stop Lamp (12V+)	A	RED3215-0	DCU Power (12V+)
D	YEL_BLK2601-1	Stop Lamp (24V+)	B	RED3237-0	Line heat (12V+)
E	YEL_BLK2169-1	Clearance (24V+)	C	ORN3912-0	Starter sol (12V+)
F	YEL2169-0	Clearance (12V+)	D	ORN_BLK3912-1	Start Signal (24V+)
			E	ORN_BLK1229-3	Ignition Signal (24V+)
			F	ORN1229-1	Engine Ignition (12V+)
			G	ORN3112-0	ECM w/u (12V+)
			H	ORN3215-0	DCU w/u (12V+)

The voltage converter provides 24V to cab systems. It is located at battery box this voltage converter works with Power Distribution Center (PDC) with following characteristics:

12V Input – 24V output
 Input Current: 80 Amps
 Output Current: 40 Amps
 Temperature range: -40C to +85C

Section 7 Electrical

To add on the spare wiring from cab to chassis is necessary Passover PDC to converter the output voltage from cab (24V) to a chassis voltage necessary (12V), the spare circuits are decrypted on the figure also the pins available to use.

Spare Circuit Powered Through:	Minimum Wire Gauge	Pin A	Pin B	Circuit PDC Terminal	Capacity (Fuse number/Amperes). Install a fuse of appropriate rating.	Numbered connector Location PDC at battery box.
Spare 1	16	RG7	RH7	2B	F20/10Amp	Red Connector (B068-7099-F)
Spare 2	16	RG7	RH7	2G	F20/10Amp	Red Connector (B068-7099-F)
Spare 3	20	RC8	RD8	3H	F21/5Amp	Black Connector (B068-7099-A)
Spare 4	12	RE7	RF7	3A	F22/25Amp	Black Connector (B068-7099-A)
Spare 5	14	RE8	RF8	3B	F23/20Amp	Black Connector (B068-7099-A)
Spare 6*	N/A	RG8	RH8	3C	Empty	Black Connector (B068-7099-A)
Spare 7*	N/A	RG8	RH8	3D	Empty	Black Connector (B068-7099-A)
Spare 8*	N/A	RG8	RH8	3E	Empty	Black Connector (B068-7099-A)

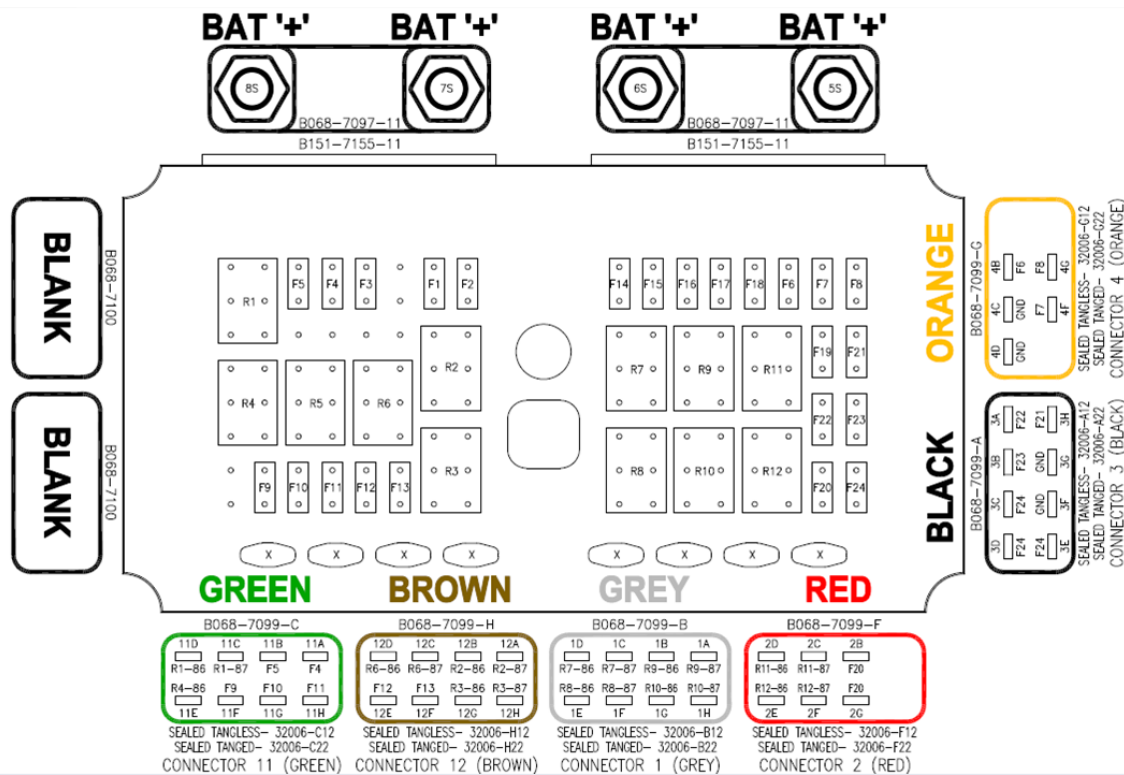
*this connector available w/o fuse

K246-746: Connector with 12" long pigtails with butt splices for use connecting to dash harness spare connectors.

K246-744: Connector with 12" long pigtails with butt splices for use connecting to engine or chassis harness spare connectors

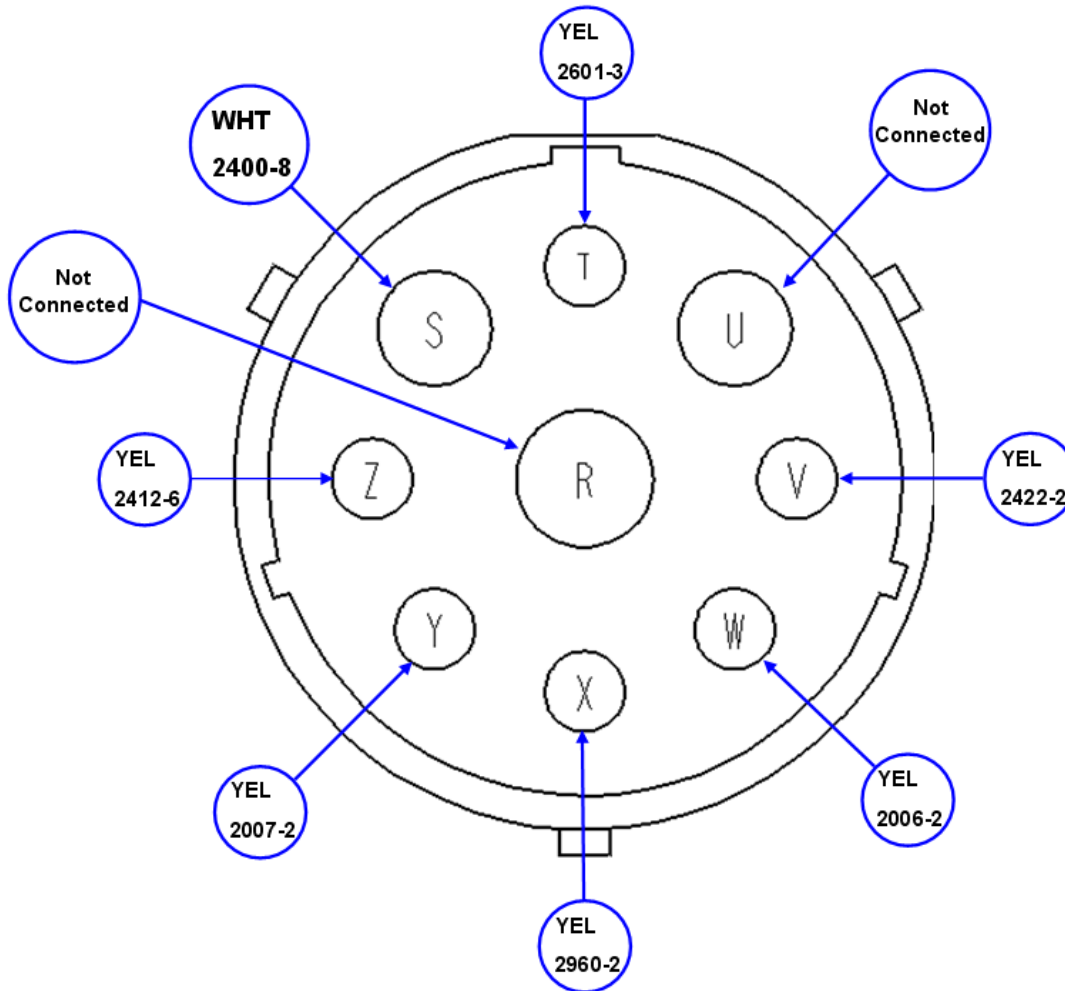
TABLE 7 - 1.1. Additional Spare Circuits for Wiring

On Power Distribution Center (chassis).



Section 7 Electrical

Body Builder 9 pin connector

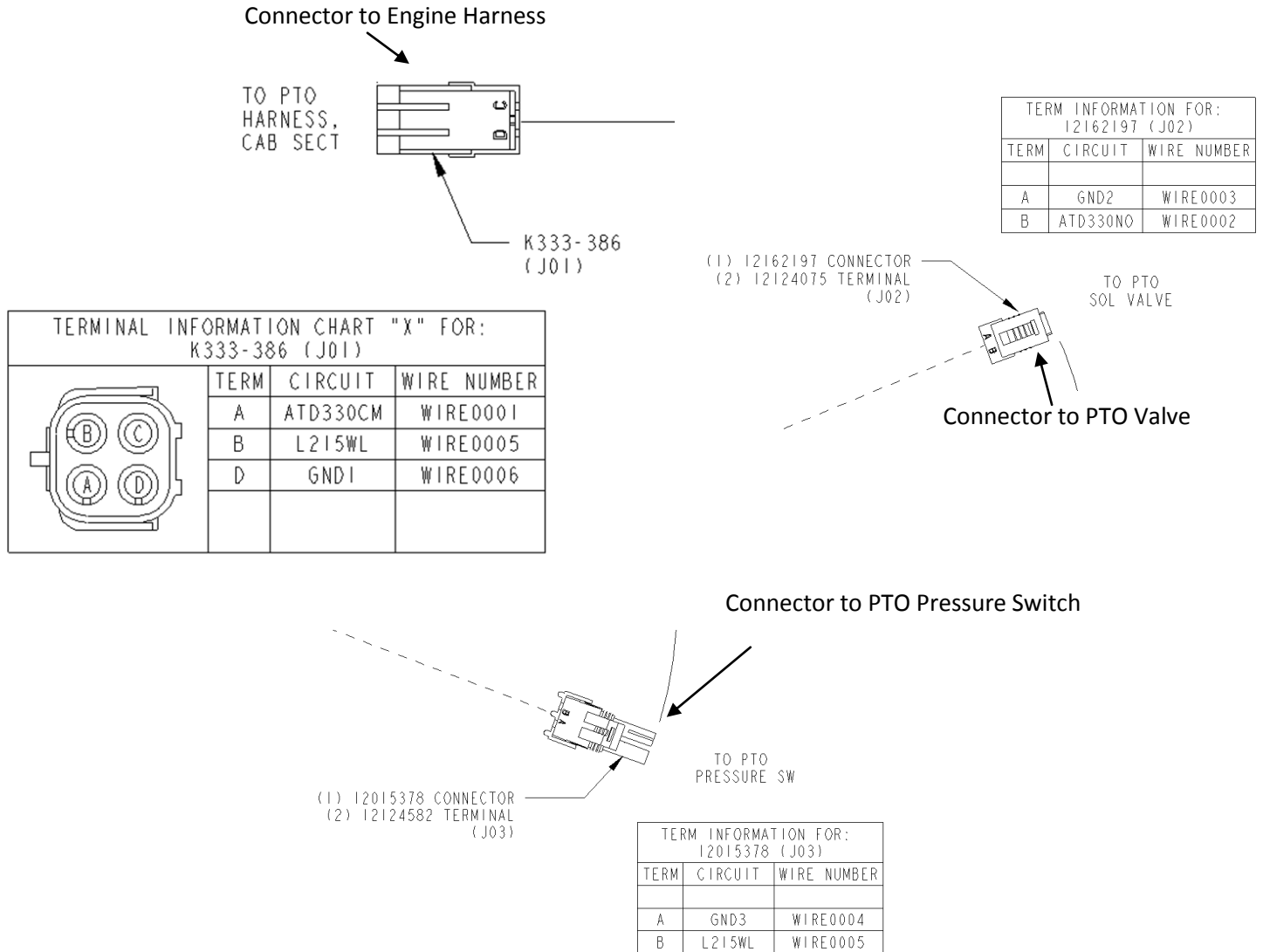


WIRE DESCRIPTION	FUNCTION	PIN	CIRCUIT	WIRE COLOR	CAPACITY FUSE (AMPERES NUMBER)	WIRE GAUGE
	Not Connected	R			Not Connected	
GND	Ground	S	WHT2400-8	White		10
Stop LP	Stop lamp	T	YEL2601-3	Yellow	F18 / 25A	12
	Not Connected	U			Not Connected	
Tails/Marker LP	Tails / markers lamps	V	YEL2422-2	Yellow	F19 / 20A	12
Turn LH rear	Turn signal left hand rear	W	YEL2006-2	Yellow	F14 / 15A	12
Backup LP	Backup lamp	X	YEL2960-2	Yellow	TCU Relay	12
Turn RH rear	Turn signal right hand rear	Y	YEL2007-2	Yellow	F15 / 15A	12
Markers LP	Markers lamps	Z	YEL2412-6	Yellow	F19 / 20A	12

Section 7 Electrical

PTO Wiring

When at the truck is installed PTO this installation has fitted harness P92-3117-0000 wiring installations with following instructions.



Section 7 Electrical

Remote PTO / Throttle Harness

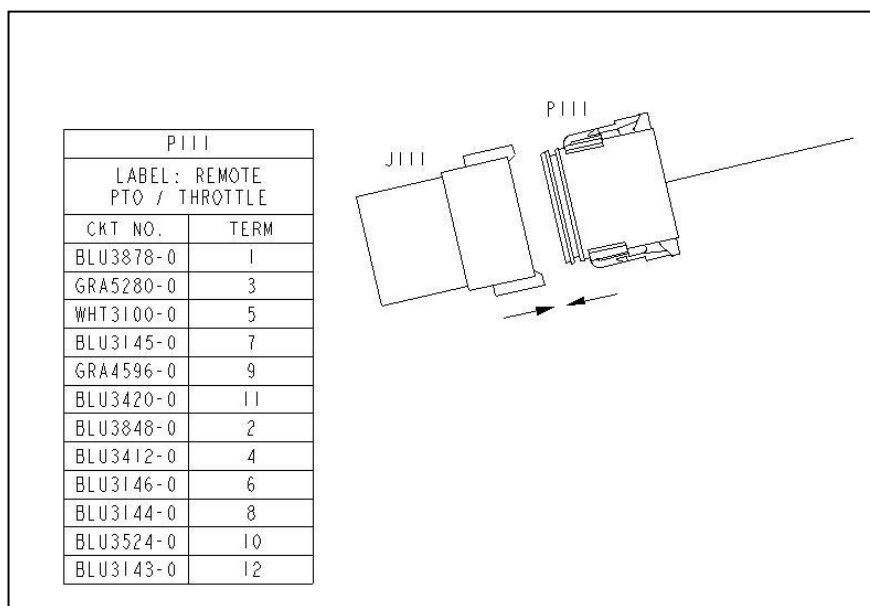
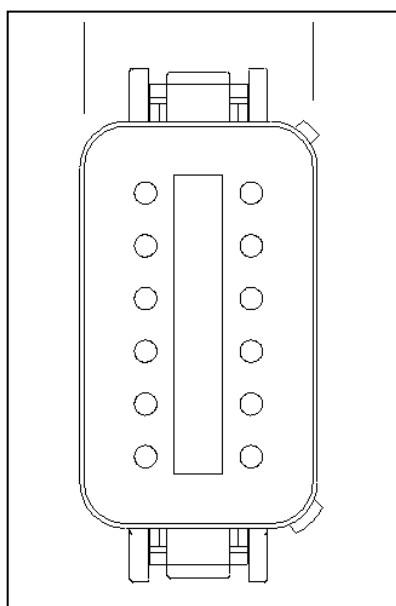
This option provides a connection from the engine ECU for remote control of engine throttle and PTOs. Options that extend the wiring to the end of frame also exist, however controls are not provided. A 12-pin Deutsch connector (Deutsch P/N DT06-12SA-P012) is included.

Adding Electrical Options



WARNING!

Follow the engine manufacturer's guidelines for use of these circuits. See your engine manufacturer to verify that the engine is programmed correctly for the intended applications. Failure to properly program the engine or wire these circuits could cause an accident.



TERMINAL	CIRCUIT	DESCRIPTION
1	BLU3878-0	CVSG DATA
2	BLU3848-0	Remote Engine STOP
3	GRA5280-0	Remote Engine START
4	BLU3412-0	CAB Lock
5	WHT3100-0	Ground
6	BLU3146-0	ESC N3/ SET -
7	BLU3145-7	ESC N2/ SET +
8	BLU3144-0	ESC N1
9	GRA4596-0	PTO Solenoid
10	BLU3524-0	PTO Status
11	BLU3420-0	Remote PTO
12	BLU3143-0	ESC Enable

VEHICLE IDENTIFICATION NUMBER

A 17-character number (numeral and letter combination) forms the Vehicle Identification Number (VIN) which includes the Chassis Number. It contains among other information, the model year (4), assembly plant (5), and vehicle serial number (6). See Figure A-1

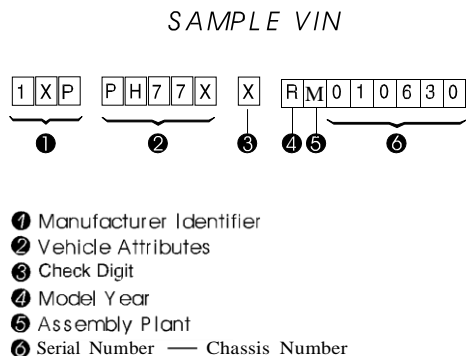


Figure A - 1. Vehicle Identification Number (VIN).

The model year (4) is designated by an alphanumeric code in the tenth character position in the VIN. See Table A-1 and Figure A-1.

Code	Year
C	2012
D	2013
E	2014
F	2015
G	2016

Table A - 1. Model Year (Code) Designations.

VIN Location

The VIN is marked on the Incomplete Vehicle Certification Label (on trucks). It is located either on the driver's door edge or door frame. See Figure A-2.

Chassis Number Locations

The Chassis Number comprises the last six characters of the VIN.

- The K270/K370 chassis number is shown in multiple locations.
- Right frame rail, bottom flange (underside), about 4 to 4.5 ft. from the front end: stamped.
- Left frame rail, top of flange, about 4 to 4.5 feet from front end: stamped
- Tire, Rim, and Weight Rating Data label.
- Major Components and Weights label.
- Paint Identification label.

CERTIFICATION LABELS

Components and Weights Label

The Major Components and Weights Label is located on either the driver's side door edge or on the door frame. See Figure A-2. It includes: chassis weight and gross weight; plus, model and serial numbers for the vehicle, engine, transmission, and axles.

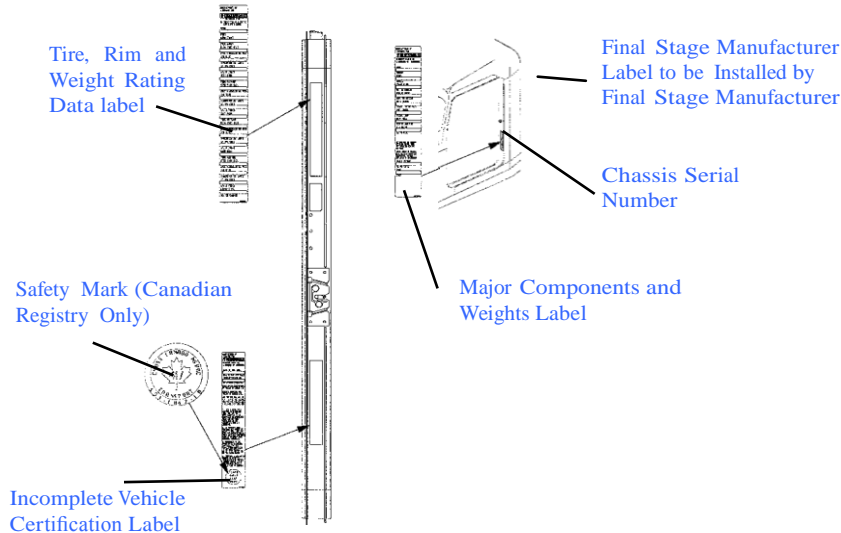


Figure A-2. Locations of Certification Labels - Driver's Door

Figure A - 2. Drivers Door and Door Frame Label

Tire/Rim and Weight Rating Data Label

The Tire/Rim and Weight Rating Data Label is located on the driver's side door edge, above the door latch. See Figure A-2. It contains the following information:

- GVWR — Gross Vehicle Weight Rating
- GAWR FRONT and REAR — Gross Axle Weight Ratings for Front and Rear Axle
- TIRE/RIM SIZES AND INFLATION PRESSURES — Tire/Rim Sizes and Cold Pressure Minimums
- Chassis (Serial) Number

Note:



GVWR is the TOTAL WEIGHT the vehicle is designed to carry. This includes the weight of the empty vehicle, loading platform, occupants, fuel, and any load. Axle weight ratings are listed on the edge of the driver's door.

Incomplete Vehicle Certification Label

The Incomplete Vehicle Certification Label is located on the driver's side door edge below the latch. See Figure A-2. It contains the following information:

- DATE OF MANUFACTURE
- VIN — Vehicle Identification Number
- LISTING OF APPLICABLE FEDERAL MOTOR VEHICLE SAFETY STANDARDS

Transmission Identification

The transmission identification number is stamped on a tag affixed to the right forward side of the transmission case. It includes among other specifications the transmission model, serial, and part number.

Front Axle Identification

The front axle has a identification tag located on the front axle beam. It includes the axle model, part number and serial number.

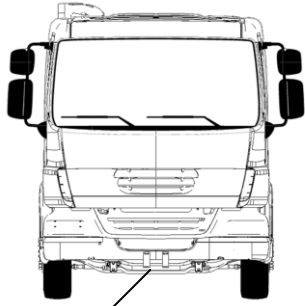


Figure A - 4. Front Axle Identification

Rear Axle Identification

The rear axle identification numbering system includes two labels or stamps.

1. Axle Housing Number Tag, located on the left forward side of the housing arm. This tag identifies the axle housing.
2. Axle Differential Carrier Identification, located on the top side of the differential carrier. The following information is either stamped, or marked with a metal tag: Model No., Carrier Production Assembly No., Carrier Assembly Serial No., Gear Ratio, Axle Specifications Number and OEM part number and country of origin.

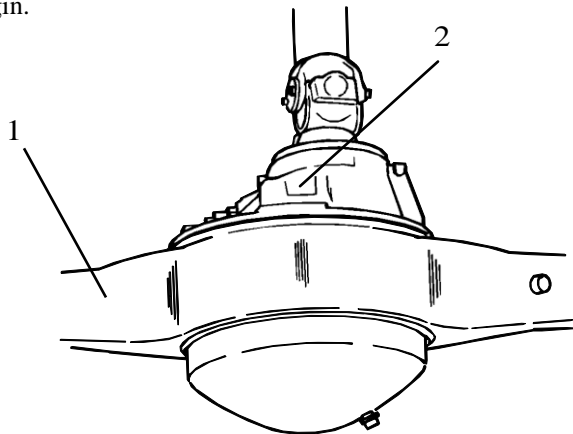


Figure A - 5. Rear Axle Identification



Note: Illustrated identification tag locations are typical. Actual locations may vary by axle manufacturer and with single versus tandem axles.

INTRODUCTION


In the Medium Duty truck market, matching the wheelbase to the body specification is extremely important. Selection of the wrong wheelbase may lead to premature component failure, poor performance, and ultimately a dissatisfied customer. Before selecting the proper wheelbase, it is important to have a basic understanding of weight distribution.

Abbreviations

Throughout this section, abbreviations are used to describe certain features and requirements of the vehicle (see the list below). Review this list frequently so you know what the abbreviations mean.

AF	=	Frame rail overhang length – behind the rear axle
BL	=	Body Length
CA	=	Back of cab to centerline of rear axle

i **Note:** The K270/K370 CA figures are measured from the true back of cab to the centerline of the rear axle. To obtain a usable CA the body builder must subtract any required space behind the cab, which may be needed for other equipment.

CG	=	Center of gravity: the balance point or center of a load. It is usually identified by a circle with alternating black and white quarters. 
CGf	=	Distance from the centerline of the front axle to the center of gravity of the load (L). The load can be any load such as a fuel tank, a body, or the payload.
FA	=	Front Axle
GVWR	=	Gross Vehicle Weight Rating
L	=	Load: the weight that is carried. This could be the body, the payload or any item that has its weight distributed between the two axles.
Lf	=	Portion of load (L) carried by front axle
Lr	=	Portion of load (L) carried by rear axle
RA	=	Rear Axle
WB	=	Wheelbase Length

Appendix B Weight Distribution

CALCULATIONS

Weight Distribution without Body

There are two primary equations used in weight distribution calculations:

- The first equation determines the portion of the load carried by the rear axle (Lr).

$$L_r = \frac{CG_f}{WB} \times L \quad \text{Portion of Load Carried by the Rear Axle} \quad \text{Equation 1}$$

- The second determines the portion of the load carried by the front axle (Lf).

$$L_f = L - L_r \quad \text{Portion of Load Carried by the Front Axle} \quad \text{Equation 2}$$

Note:



For the purposes of calculation, the load (L) in these equations can be either actual revenue producing load or it can be other weight that is carried such as the van body or an optional fuel tank.

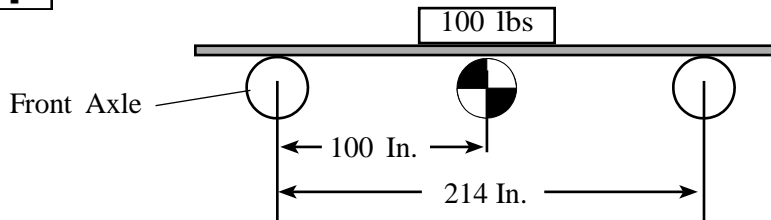


Figure B - 1. Balanced Load: CGf 100 in. from front axle

Step 1. Figures B-1 and B-2 show a representation of a 202 inch (5130.8 mm) wheelbase (WB) truck designed to carry a 100-lb. (45.3-kg) load. Figure B-1 represents a truck with the load placed an equal distance between the two axles.

- For our balanced load example we need to establish the center of gravity location (CGf, as shown in Figure B-1) by dividing the wheelbase by 2:

$$CG_f = \frac{214}{2} = 107 \text{ in (2717.8 mm)}$$

- Use equations 1 and 2 to determine the portions of the load carried by each axle.

- The weight distribution is calculated as illustrated below:

$$\begin{array}{l|l} L_r = \frac{CG_f}{WB} \times L & \frac{107}{214} (100) = 50 \text{ lbs (23 kg)} \\ L_f = L - L_r & 100 - 50 = 50 \text{ lbs (23 kg)} \end{array}$$

- Since the load is centered between both axles, 50 percent of the load is carried by each axle: i.e., 50 lb. (22.6 kg) is distributed to each axle.

- C. In Figure B-2, the load (L) is located 133 in. (3378 mm) from the front axle. Moving the load towards the rear axle changes the weight distribution. Use equations 1 and 2 to determine the portion of the load carried by each axle.

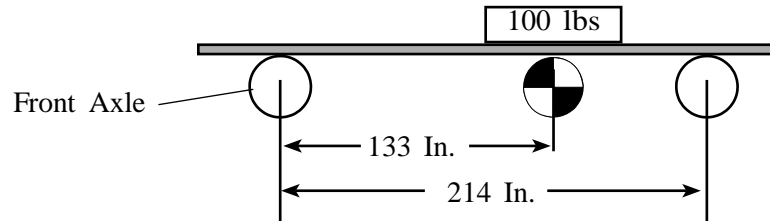


Figure B - 2. Unbalanced Load: CGf 133 In. From Front Axle

$$\begin{array}{rcl}
 \text{CGf} & = & 133 \text{ in. (3378 mm)} \\
 \text{Lr} = \frac{\text{CGf}}{\text{WB}} \times \text{L} & | & \frac{133}{214} (100) = 62.14 \text{ lbs (28.18 kg)} \\
 \text{Lf} = \text{L} - \text{Lr} & | & 100 - 62.14 = 38.86 \text{ lbs (17.6 kg)}
 \end{array}$$

- The rear axle now carries a greater proportion of the load than the front axle.

Although it is usually not important to know the CG of the chassis; it is important to know the CG location of truck bodies, accessories, or loads that may be placed on the chassis. This example shows that the location of the CG of an object relative to the front and rear axles (FA and RA) affects the load carried by each axle.

For most relatively uniform objects such as van bodies and fuel tanks, the CG is located close to the midpoint of the object. For non-uniform objects such as liftgates and refrigeration units, obtain the CG from the equipment manufacturer.

Appendix B

Weight Distribution

Weight Distribution with Body

Chassis Weights

Step 2. In the following example, a K270 truck is modified to include a van body mounted to the chassis. This example is a K270 chassis, 214 inches (5435.6 mm) in WB, with a standard drivetrain and fuel tank. It is a 26,000 lb. GVWR with a 8,948 lb. front axle and a 17,052 lb. rear axle.

When calculating weight distributions, start by determining chassis ground weights for each axle. The actual chassis weight will vary with the wheelbase and the options installed. Listed in Tables B-1 and B-2 are the chassis tare weights for the standard single rear axle K270 vehicles and each wheelbase configuration.

We see that the 214-inch wheelbase, 2-axle K270 has the following tare weights:

$$FA = 6263.4$$

$$RA = 9628.7$$

K270/K370 with nominal weights and CGs. See your Kenworth Dealer for more exact weights and CGs. It also lists their added weight when installed on the chassis and the location (from the front axle) of the CG of this added weight.

Wheelbase Inches	Front lb (kg)	Rear lb (kg)	Total lb (kg)
214	6263.4 (2,841)	9628.7 (4367.5)	15892.1 (7,208.5)

TABLE B-1. K270/K370 Single Rear Axle “Bare” Chassis Tare Weights (no driver, no fuel)



Note: The weight in Table B-1 represent a standard K270 chassis

Now we will calculate the distributed weight of van body that weighs 4825 pounds (2188.5 kg). Since an empty van is very close to a uniform object, you can assume that the CG of the van body is at a point equal to half of the BL.

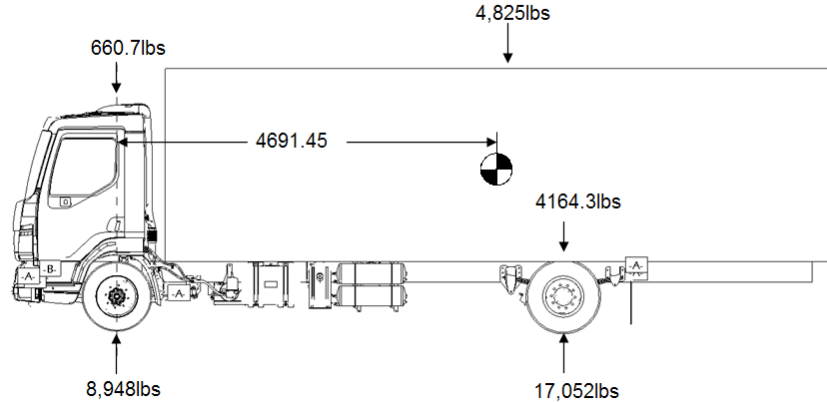


Figure B-3. Balanced Body Unloaded: CGf 184.7 in. (4691.45 mm) from front axle.

When the body is mounted on the chassis, assume that the forward edge is positioned 4 inches (102 mm) behind the back of the cab. This is equivalent to 17.3 inches (439.4 mm) behind the front axle. Therefore, the CG of the body is located 72 inches plus half the body length from the front axle.

Use Equations 1 and 2 to calculate the distributed additional weight of the body:

$$L_r = \frac{CG_f}{WB} \times L \quad \left| \quad \frac{184.7}{214} (4825) = 4164.4 \text{ lbs (1888.9 kg)} \right.$$

$$L_f = L - L_r \quad \left| \quad 4825 - 4164.4 = 660.5 \text{ lbs (299.6 kg)} \right.$$

Adding a liftgate to the van body will present some interesting weight distribution results. We will add a 1455 pound (659.9 kg) liftgate to the end of the van body. The CG location of non-uniform objects, such as a liftgate, must be provided by the equipment manufacturer. For our example, the liftgate manufacturer has provided installation information that indicates the liftgate CGf is located 322.2 in (8183.9 mm) behind the front axle.

Rear Liftgate Example

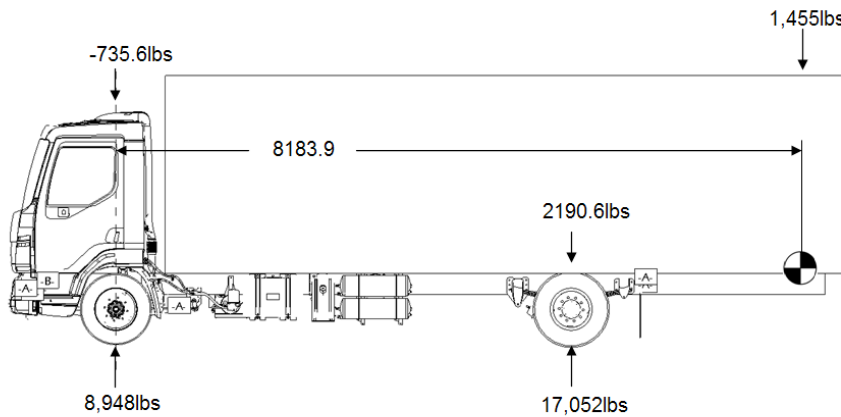


Figure B-4. Liftgate Example: CGf 322.2 in (8183.9 mm) from front axle.

Appendix B

Weight Distribution

Use $CGf = 246$ in equations 1 and 2 to determine how the liftgate weight is distributed to the axles.

$$\begin{array}{l|l}
 L_r = \frac{CGf}{WB} \times L & \frac{322.2}{214} \times 1455 = 2190.6 \text{ lbs (993.6 kg)} \\
 L_f = L - L_r & 1455 - 2190.6 = -735.6 \text{ lbs (-333.6 kg)}
 \end{array}$$

This negative weight on the front axle illustrates the difference between the distribution of weight (L) mounted behind the rear axle versus in front of the rear axle.

- The load carried by the rear axle is greater than the weight of the liftgate itself. Since the weight of the liftgate (added to the vehicle) cannot be greater than 1,455 lb, the front axle loading is reduced by a compensating amount (735.6 lb). The combined weight on the front and rear axles is equal to that of the liftgate.
- Weight added behind the rear axle has the effect of unloading the front axle. The amount of this front axle load reduction is equal to the “extra” weight added to the rear axle.
- By positioning equipment behind the rear axle, the effective load on the rear axle is more than the weight of the equipment.
- The farther behind the rear axle the load is mounted, the greater the load on the rear axle. However, the combined weight, distributed to the front and rear axles (L_f plus L_r), does not exceed the weight of the liftgate.

In order to get a realistic curb weight, we add weight for a driver and fuel. For purposes of calculation, we use a standard of 200 lbs. (91 kg) for the driver. Of course, your driver weight will vary.

Using $CGf = 10$ in equations 1 and 2:

$$\begin{array}{l|l}
 L_r = \frac{CGf}{WB} \times L & \frac{10}{214} (200) = 9.34 \text{ lbs (4.2 kg)} \\
 L_f = L - L_r & 200 - 9.34 = 190.6 \text{ lbs (86.4 kg)}
 \end{array}$$

We calculate the fuel load using 7 lbs per gallon as the weight for diesel fuel.

$$45 \text{ gal} \times (7 \text{ lbs/gal}) = 315 \text{ lbs (142.8 kg)}$$

Using $CGf=73.9$ and equations 1 and 2 for the standard tank:

$$\begin{array}{l|l}
 L_r = \frac{CGf}{WB} \times L & \frac{73.9}{214} (315) = 108.7 \text{ lbs (49.3 kg)} \\
 L_f = L - L_r & 315 - 108.7 = 206.2 \text{ lbs (93.53 kg)}
 \end{array}$$

COMPLETE (LOADED) VEHICLE

Step 4. The final step is to put a payload in the van. Assume that the payload is evenly distributed. Freight that is distributed evenly is referred to as a “water level” load. Our payload total is 8,000 lb. Since it is an evenly distributed “water level” load, its CG location will be the same as the CG location of the van body. See Figure B-5.

$$CGf = \frac{1}{2} BL + 72$$

$$\frac{1}{2}(168) + 72 = 156 \text{ in.}$$

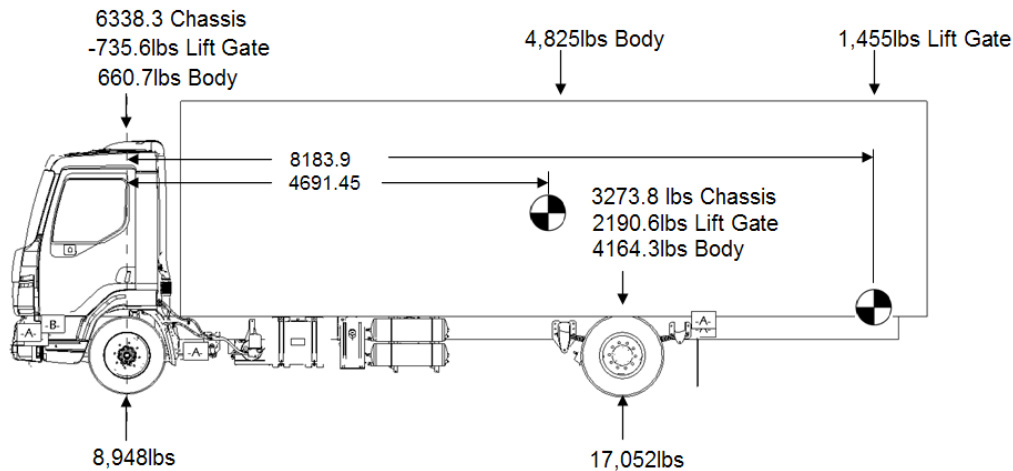
Using $CGf = 156$ in equations 1 and 2:

$$Lr = \frac{CGf}{WB} \times L$$

$$\frac{156}{214} (8,000) = 5,831 \text{ lbs (2644 kg)}$$

$$Lf = L - Lr$$

$$8,000 - 5,831 = 2,169 \text{ lbs (983 kg)}$$



Item	Front Axle		Rear Axle		Total lb	(kg)
	(FA) lb	(kg)	(RA) lb	(kg)		
Chassis	6338.3	2875	3273.8	1484.9	9612.1	4359.9
Fuel 45 Gal Std, Tank	206.2	93.5	108.7	49.30	314.9	142.8
Tare Weight	6544.5	2968.5	3382.5	1534.2	9927	4502.8
Liftgate	-735.6	-333.6	2490.6	1129.7	1755	796.0
Van Body	660.7	299.6	4164.3	1888.8	4825	2188.5
Driver	190.6	86.4	9.34	4.23	199.9	90.71
Curb Weight	6660.2	3021.0	10046.74	4557.1	16706.9	7578.1
Payload	2169	983.8	5831	2644.8	8000	3628.7
Total Ground Weight	8829.2	4004.8	15877.7	7202	24706.9	11206.9
Chassis Axle Ratings	8948	4058.7	17052	7734.6	26000	11793.4

Table B-2. K270 Weight Distribution and Chassis Rating Calculation (sample)

Appendix B Weight Distribution

K370 sample, Assume that the payload is evenly distributed. Freight that is distributed evenly is referred to as a “water level” load. Our payload total is 14,500 lb. Since it is an evenly distributed “water level” load, its CG location will be the same as the CG location of the van body. See Figure B-5.

$$CGf = \frac{1}{2} BL + 72$$

$$\frac{1}{2}(168) + 72 = 156 \text{ in.}$$

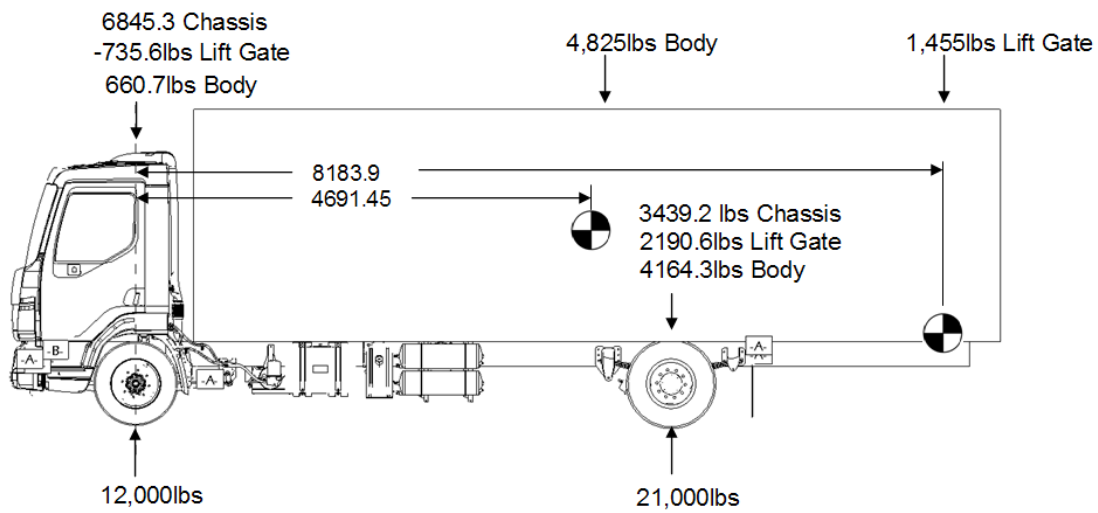
Using $CGf = 156$ in equations 1 and 2:

$$Lr = \frac{CGf}{WB} \times L$$

$$\frac{156}{214} (14,500) = 10,570 \text{ lbs (4794.5 kg)}$$

$$Lf = L - Lr$$

$$14,500 - 10,570 = 3,929.9 \text{ lbs (1782.5 kg)}$$



Item	Front Axle (FA) lb (kg)		Rear Axle (RA) lb (kg)		Total lb (kg)	
	lb	kg	lb	kg	lb	kg
Chassis	6845.3	3104.98	3439.2	1559.995	10284.5	4664.971
Fuel 45 Gal Std, Tank	206.2	93.5307	108.7	49.30549	314.9	142.8362
Tare Weight	7051.5	3198.51	3547.9	1609.3	10599.4	4807.807
Liftgate	-735.6	-333.66	2490.6	1129.717	1755	796.0546
Van Body	660.7	299.688	4164.3	1888.895	4825	2188.583
Driver	190.65	86.4774	9.34	4.236553	199.99	90.71394
Curb Weight	7167.25	3251.01	10212.14	4632.149	17379.39	7883.159
Payload	3929.9	1782.57	10570	4794.471	14499.9	6577.044
Total Ground Weight	11097.15	5033.58	20782.14	9426.62	31879.29	14460.2
Chassis Axle Ratings	12000	5443.11	21000	9525.44	33000	14968.55

Table B-2.1. K370 Weight Distribution and Chassis Rating Calculation (sample)

Weight Distribution Analysis

Step 5. The final step is to total all of the front and rear axle weights to ensure that the axles are not overloaded. Table B-4 shows the assembled information in an easy to read format.

- Compare the calculated axle ground totals against the axle weight ratings to be sure that the truck is properly specified to haul this load.
- From this, it is evident that the chassis is properly equipped for this job.

These calculations illustrate the importance of doing the weight distribution analysis. In some cases the addition of one component (for example, a liftgate) can produce a dramatic difference.

Body Length

Step 6. Your analysis may produce results that indicate an overloaded axle with a total loaded chassis weight less than the GVW. This shows that you need to use a different body length for the truck. Each wheelbase can accommodate several different body lengths. However, for each wheelbase and GVW one particular body length will provide close to optimum weight distribution on both axles.

- a. Tables B-5 and B-6 list Recommended Body Lengths for a particular wheelbase and GVW. These body lengths provide the best weight distribution for the listed wheelbase.

i **Note:** These charts were generated assuming a plain van body with “water level” loading. Any common additions such as lift gates or refrigeration units may indicate a different wheelbase for a given body length. Also, different body styles may require a different WB for a given size.

Appendix B

Weight Distribution

Wheelbase In. (mm)	Body Length (Ft)	
	26,000 GVW	33,000 GVW
166 (4216.4)	18	
178 (4521.2)	20	
190 (4826)	22	
202 (5130.8)	24	
214 (5435.6)	26	

Table B-3. Available K270/K370 Body Lengths

- Remember that water level loading assumes that the load is arranged evenly in the body (as water would be in a tank). If uneven load distribution is part of the vehicle layout, your weight distribution analysis may indicate that a different body length, deviating from the recommended length, will provide the best weight distribution.



Note: You should always perform a weight distribution analysis to help ensure the vehicle performs properly and meets your customer's expectations.

A			
Abbreviations, dimensions	3-1	Frame, welding	5-4
Auxiliary power	6-5	Front axle serial number	A-4
B		Front View	3-4
Body harness	6-3	Fuel tank locations	3-16
Body mount, rear	4-6	G	
Body mounting	4-1	Ground clearance	3-4
Body mounting with U-bolts	4-4	I	
Brackets, body mounting	4-2	Incomplete vehicle certification	2-2
C		Incomplete Vehicle Certification Label	A-2
Calculations	B-2	L	
Cautions	2-1	Liftgate	6-6
Certification label	2-2	M	
Chassis maintenance	1-1	Mounting holes, frame	4-3
Chassis Number	A-1	N	
Chassis weight	B-4	Noise Emission Label	A-3
Circuits, description	6-4	Noise Requirements	2-3
Clearance, air lines and wiring	4-5	Notes	2-1
Critical clearances	4-1	O	
Crossmember location	3-13	Operating information	1-1
Crossmembers	5-4	Options weights	B-5
D		R	
Dimensions	3-1	Rear axle identification	A-4
Dimensions, air tanks	3-17	Rear suspension, changing	5-3
Dimensions, battery box	3-17	Rear View	3-4
Dimensions, crew cab, conversion	3-11	Remote PTO/throttle harness	6-8
Dimensions, exhaust, horizontal	3-18	Repair information	1-1
Dimensions, exhaust, vertical, ISB	3-19	S	
Dimensions, exhaust, vertical muffler, ISB	3-20	Safety signals	2-1
Dimensions, exhaust, vertical muffler, ISC/C7	3-23, 3-24	Scope	1-1
Dimensions, exhaust, transverse muffler, ISB	3-21	Sill spacer	4-3
Dimensions, exhaust, transverse muffler, ISC/C7	3-25	Spare Circuits	6-1
Dimensions, exhaust, vertical tailpipe ISB	3-19	Step height	3-6, 3-7
Dimensions, exhaust, vertical tailpipe ISC/C7	3-22	T	
Dimensions, extended cab conversion	3-12	Third battery option	6-6
Dimensions, flood lamps, flush	3-10	Tire And Rim Data Label	A-2
Dimensions, flood lamps, pedestal	3-9	Transmission identification	A-4
Dimensions, frame rails	3-17	Turning radius	3-1
Dimensions, fuel tank	3-18	V	
Dimensions, optional fuel tank	3-18	Vehicle Identification Number	A-1
Dimensions, overall	3-2	W	
Dimensions, roof mounted options	3-8	Warnings	2-1
E		Water level load	B-12
Electrical circuits	6-1	Weight distribution	B-1
Electrical circuits	6-1	Weight distribution analysis	B-13
Emissions requirements	2-3	Wheelbase, changing	5-2
Engine serial number	A-3	Width with doors open	3-13
F		T	
Federal Motor Vehicle Safety Standards	2-2	V	
Final stage manufacturer	2-2	Vehicle Identification Number	
Fishplate bracket	4-6	A-1	
FMVSS	2-1	W	
Frame, changing length	5-1	Warnings	2-1
Frame, drilling	4-4	Water level load	B-12
		Weight distribution	B-1
		Weight distribution analysis	B-13
		Wheelbase, changing	5-2
		Width with doors open	3-13



A DIVISION OF PACCAR

Kenworth Truck Company
P.O. Box 1000
Kirkland, WA 98083
(425) 828-5000